

# PERI Rental Criteria

## PROKIT



**Contact**

**PERI GmbH**  
**Formwork Scaffolding**  
**Engineering**  
 P.O. Box 1264  
 89264 Weissenhorn, Germany  
 Phone +49 (0) 7309.950-0  
 Fax +49 (0) 7309.951-0  
 rental-criteria@peri.de

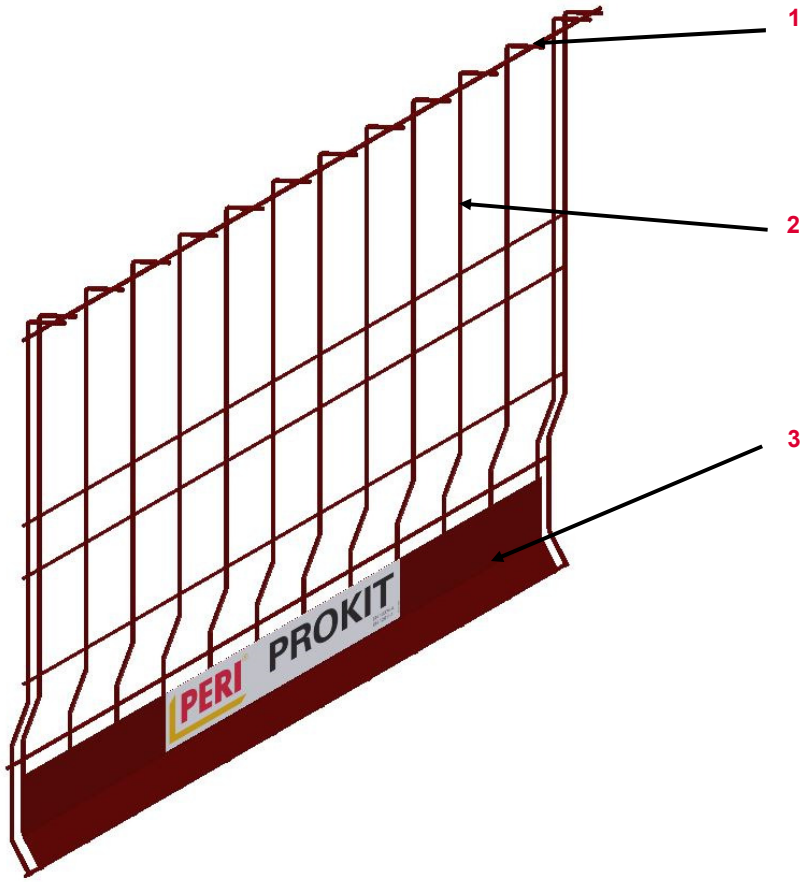
Content	Page	Changes made	Date   Initial	Page
Side Mesh Barrier PMB	2	New Version	10/2016   fw	
Fold Mesh	4			
Post PP   Post Increase PPE	5			
Slab Foot   Side Foot	6			
Uni Clamp PUC	7			
Sheet Piling Clamp	8			
Glossary	9			

# PERI Rental Criteria

## PROKIT



Side Mesh Barrier PMB	No.	Name	Article number
-----------------------	-----	------	----------------














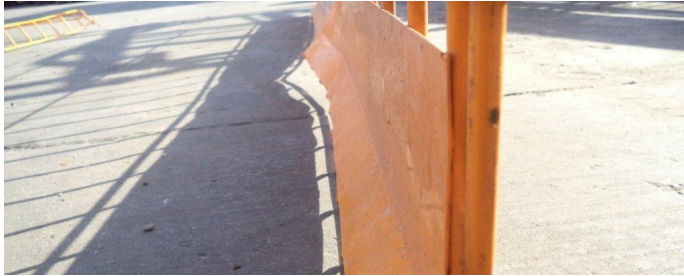






- 1 Horizontal bar
- 2 Vertical bar
- 3 Base plate

Valid for	Article number
Side Mesh Barrier PMB 240	126371
Side Mesh Barrier PMB 120	126376
Side Mesh Barrier PMB 90	126381
Side Mesh Barrier PMB 130	117327
Side Mesh Barrier PMB 260	117236

# PERI Rental Criteria

## PROKIT

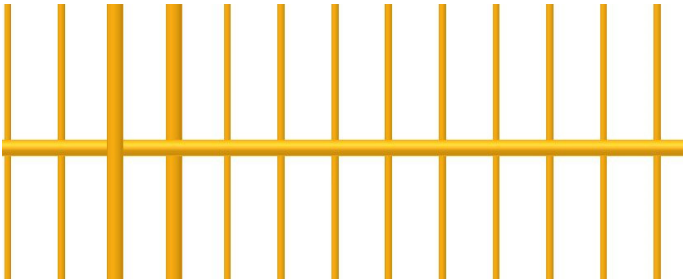



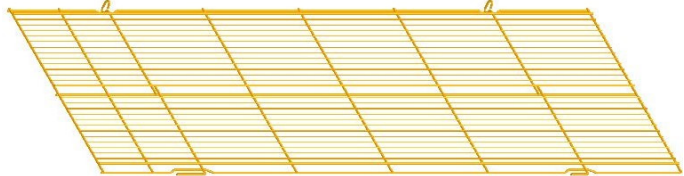















Side Mesh Barrier PMB	Description	Instruction	Billing Condition	Type
	<b>31.01 Bar broken</b>			
	<b>31.02 Mesh</b>			
	<ul style="list-style-type: none"> <li>■ Bent &gt; 15 mm</li> <li>■ Or kink</li> </ul>	 	 	 
	<b>31.03 Base plate bent</b>			
	<ul style="list-style-type: none"> <li>■ If possible</li> <li>■ Or if not possible</li> </ul>	 	 	 

# PERI Rental Criteria

## PROKIT

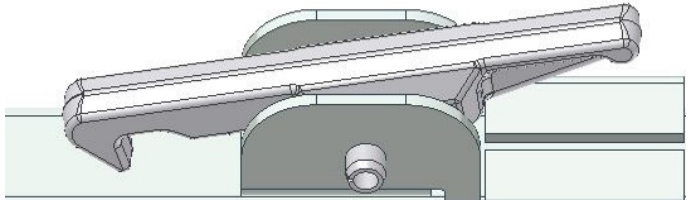






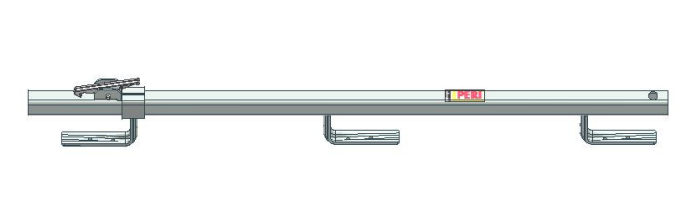







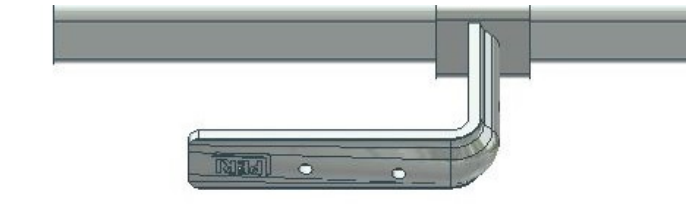






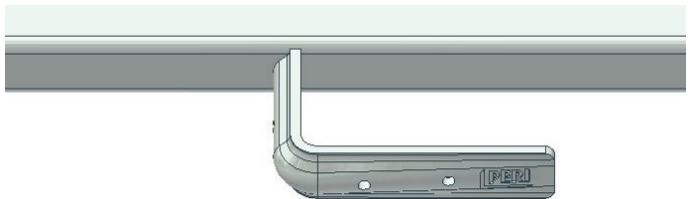





Fold Mesh (118350)	Description	Instruction	Billing Condition	Type
	<p><b>31.04 Bar broken</b></p>			
	<p><b>31.05 Bent</b></p> <ul style="list-style-type: none"> <li>■ &lt; 20 cm</li> <li>■ Or &gt; 20 cm</li> </ul>	<ul style="list-style-type: none"> <li></li> <li></li> </ul>	<ul style="list-style-type: none"> <li></li> <li></li> </ul>	<ul style="list-style-type: none"> <li></li> <li></li> </ul>
	<p><b>31.06 Hook   eyelet bent</b></p> <ul style="list-style-type: none"> <li>■ If possible</li> <li>■ Or if not possible</li> </ul>	<ul style="list-style-type: none"> <li></li> <li></li> </ul>	<ul style="list-style-type: none"> <li></li> <li></li> </ul>	<ul style="list-style-type: none"> <li></li> <li></li> </ul>

# PERI Rental Criteria

## PROKIT



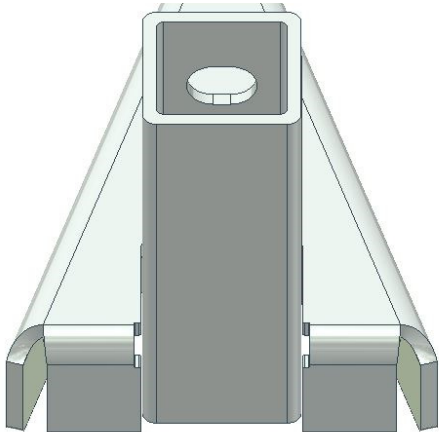
Post (117325)   Post Increase (118296)	Description	Instruction	Billing Condition	Type
	<p><b>31.07 Safety hook</b></p> <ul style="list-style-type: none"> <li>■ Missing</li> <li>■ Or damaged by force</li> </ul>	<ul style="list-style-type: none"> <li>  710418 (Safety hook) 724567 (Dowel pin)         </li> <li>  710418 (Safety hook) 724567 (Dowel pin)         </li> </ul>	<ul style="list-style-type: none"> <li></li> <li></li> </ul>	<ul style="list-style-type: none"> <li></li> <li></li> </ul>
	<p><b>31.08 Dents in Profile</b></p> <ul style="list-style-type: none"> <li>■ Edges not affected</li> <li>■ Or edges affected</li> </ul>	<ul style="list-style-type: none"> <li></li> <li> </li> </ul>	<ul style="list-style-type: none"> <li></li> <li></li> </ul>	<ul style="list-style-type: none"> <li></li> <li></li> </ul>
	<p><b>31.09 Slider</b></p> <ul style="list-style-type: none"> <li>■ Missing</li> <li>■ Or damaged by force</li> </ul>	<ul style="list-style-type: none"> <li>  115673 (Slider)         </li> <li>  115673 (Slider)         </li> </ul>	<ul style="list-style-type: none"> <li></li> <li></li> </ul>	<ul style="list-style-type: none"> <li></li> <li></li> </ul>
	<p><b>31.10 L piece bent   missing</b></p>	<ul style="list-style-type: none"> <li></li> </ul>	<ul style="list-style-type: none"> <li></li> </ul>	<ul style="list-style-type: none"> <li></li> </ul>

# PERI Rental Criteria

## PROKIT



Slab Foot   Side Foot (117323; 117324)	Description	Instruction	Billing Condition	Type
--	-------------	-------------	-------------------	------



**31.11 Connection bent**

- Post can be inserted



- Or post can't be inserted



**31.12 Base bent**

- If possible



- Or if not possible

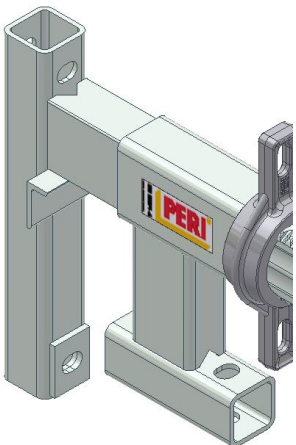


# PERI Rental Criteria

## PROKIT

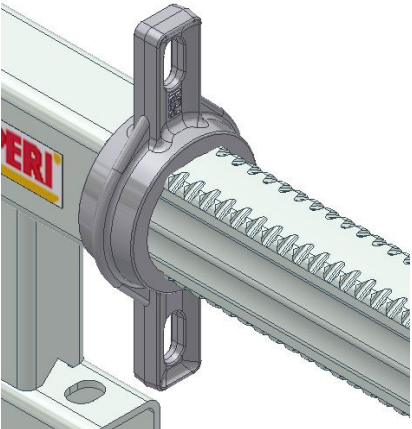


Uni Clamp PUC (118660)	Description	Instruction	Billing Condition	Type
------------------------	-------------	-------------	-------------------	------



**31.13 Connection bent**

- Post can be inserted
- Or post can't be inserted



**31.14 Impact nut**

- Missing
- Or damaged by force



065048 (Impact nut)



065048 (Impact nut)



# PERI Rental Criteria

## PROKIT




















Sheet Piling Clamp PSC (126330)	Description	Instruction	Billing Condition	Type
	<b>31.15 Connection bent</b>			
	<ul style="list-style-type: none"> <li data-bbox="817 566 1288 630">■ Post can be inserted</li> <li data-bbox="817 710 1288 758">■ Or post can't be inserted</li> </ul>	<div data-bbox="1310 558 1377 630" style="display: inline-block; margin-right: 10px;"> </div> <div data-bbox="1310 702 1444 774" style="display: inline-block;"> </div>	<div data-bbox="1803 558 1870 630" style="display: inline-block; margin-right: 10px;"> </div> <div data-bbox="1803 702 1870 774" style="display: inline-block;"> </div>	<div data-bbox="2094 558 2161 630" style="display: inline-block; margin-right: 10px;"> </div> <div data-bbox="2094 702 2161 774" style="display: inline-block;"> </div>
	<b>31.16 Studs</b>			
	<ul style="list-style-type: none"> <li data-bbox="817 901 1288 949">■ Missing</li> <li data-bbox="817 1037 1288 1101">■ Or damaged by force</li> </ul>	<div data-bbox="1310 885 1377 957" style="display: inline-block; margin-right: 10px;"> </div> <div data-bbox="1310 1037 1377 1109" style="display: inline-block;"> </div>	<div data-bbox="1803 885 1870 957" style="display: inline-block; margin-right: 10px;"> </div> <div data-bbox="1803 1037 1870 1109" style="display: inline-block;"> </div>	<div data-bbox="2094 885 2161 957" style="display: inline-block; margin-right: 10px;"> </div> <div data-bbox="2094 1037 2161 1109" style="display: inline-block;"> </div>
	<b>31.17 Clamp bolt</b>			
	<ul style="list-style-type: none"> <li data-bbox="817 1252 1288 1300">■ Missing</li> <li data-bbox="817 1396 1288 1444">■ Or damaged by force</li> </ul>	<div data-bbox="1310 1236 1377 1308" style="display: inline-block; margin-right: 10px;"> </div> <div data-bbox="1310 1380 1377 1452" style="display: inline-block;"> </div>	<div data-bbox="1803 1236 1870 1308" style="display: inline-block; margin-right: 10px;"> </div> <div data-bbox="1803 1380 1870 1452" style="display: inline-block;"> </div>	<div data-bbox="2094 1236 2161 1308" style="display: inline-block; margin-right: 10px;"> </div> <div data-bbox="2094 1380 2161 1452" style="display: inline-block;"> </div>



# PERI Rental Criteria

## Glossary Icons



Icon	Significance	Icon	Significance	Icon	Significance
	Not Ok– material is scrap		Billing necessary (customer)		Optical damage
	OK– material stays in rental park		No Billing necessary		Functional damage
	Scrap material– it's not permitted to hand out the material because of safety aspects		Shorten the material		Functional damage— it's <b>not</b> permitted to hand out the material
	Repair according to instruction		Mark the material		Static damage— it's <b>not</b> permitted to hand out the material
	Fix material cold– Afterwards check weld seams and bordering components		Replace damaged material		
	Repair after local economic efficiency calculation		Replace missing material		
	Clean the material				