





# PERI PS100 100kN Shoring System

Product Brochure – Issue 10/2022, Hong Kong



# CONTENTS

	
4 <b>General information</b>	8 <b>Technical Data</b>

	
9 <b>Catalogue</b> (core components)	14 <b>Typical details</b>

**PERI (Hong Kong) limited**  
**Formwork Scaffolding Engineering**

19C&D, Tower B, Billion Centre  
1 Wang Kwong Road  
Kowloon Bay  
Hong Kong  
Tel. +852 3102 7900  
Fax +852 3188 9258  
**info@perihk.com**  
www.perihk.com

## Important notes

All current safety regulations and guidelines must be observed.

The photos shown in this brochure feature construction sites in progress. For this reason, safety and anchor details in particular cannot always be considered as conclusive or final. These are subject to the risk assessment carried out by the contractor.

In addition, computer graphics are used which are to be understood as system representations. For ensuring a better understanding, these and the detailed illustration shown have been partially reduced to certain aspects. The safety installations which have possibly not been shown in these detailed descriptions must nevertheless be available.

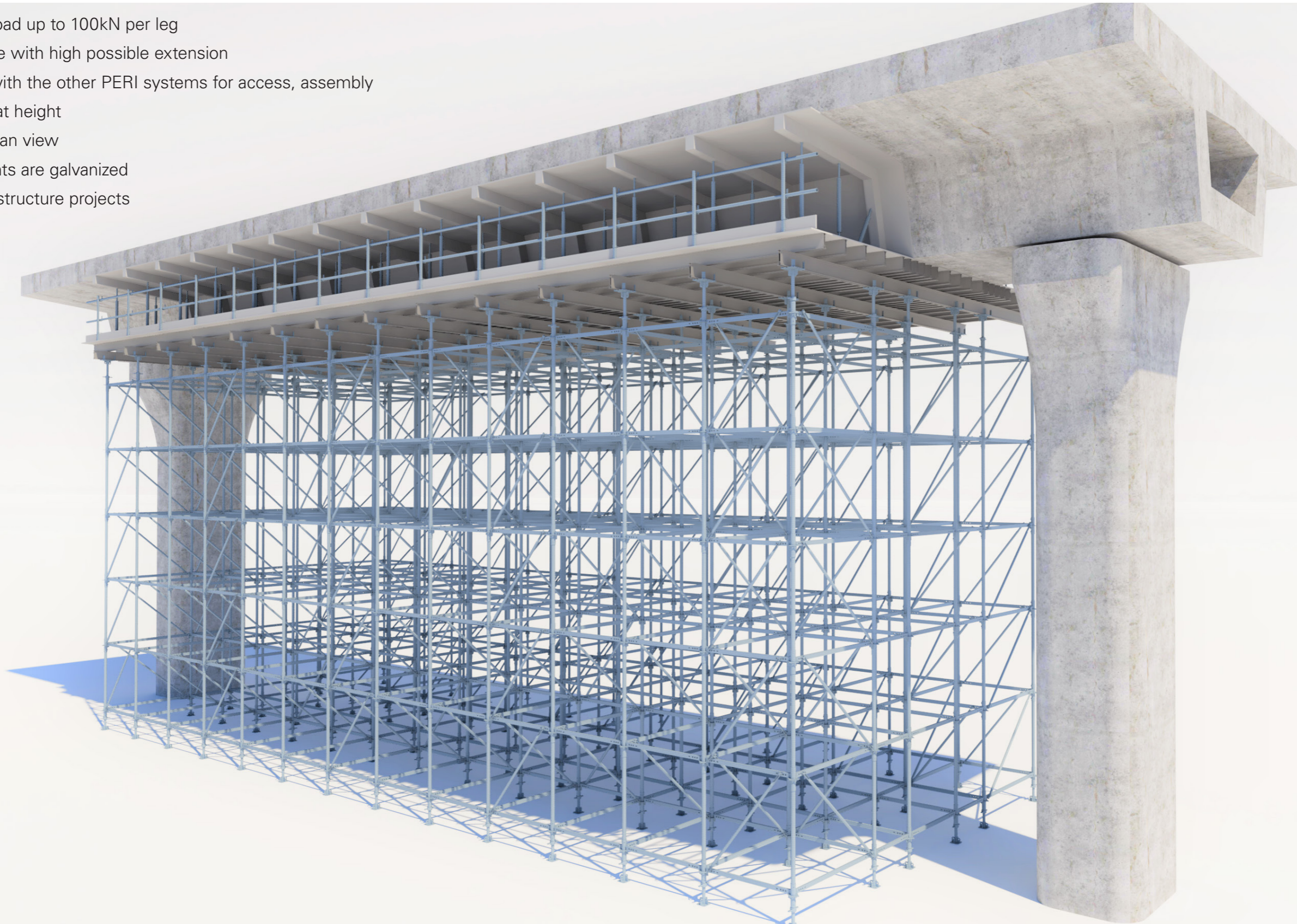
Safety instructions and load specifications are to be strictly observed at all times. Separate structural calculations are required in case of changes and deviations.

The information contained herein is subject to technical changes in the interests of progress. Errors and typographical mistakes reserved.

## **PERI PS100 Shoring system**

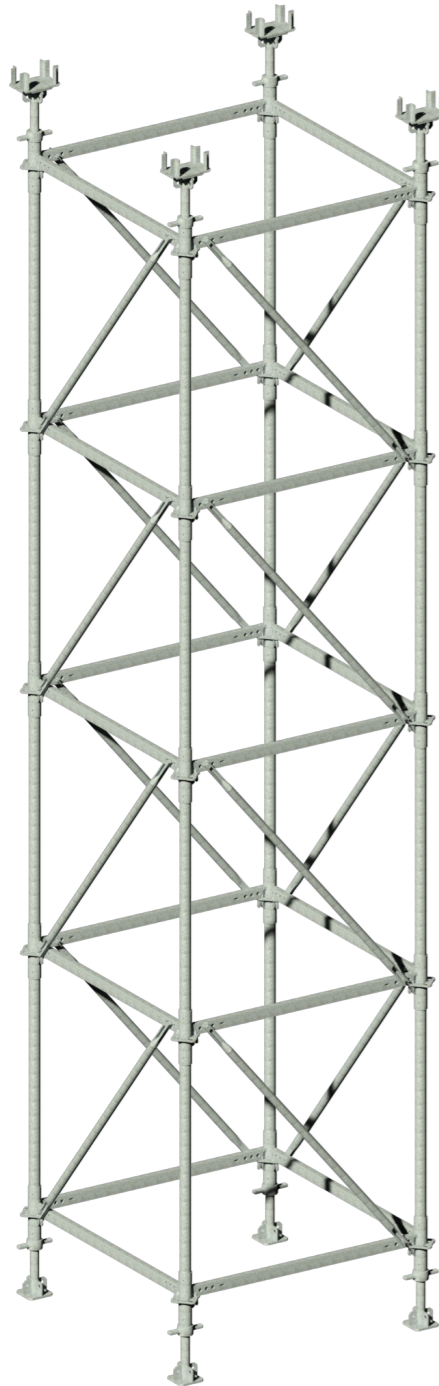
### **Stable and flexible shoring system with a high load-bearing capacity**

- Permissible load up to 100kN per leg
- Strong spindle with high possible extension
- Compatible with the other PERI systems for access, assembly and working at height
- Adaptive in plan view
- All components are galvanized
- Ideal for infrastructure projects

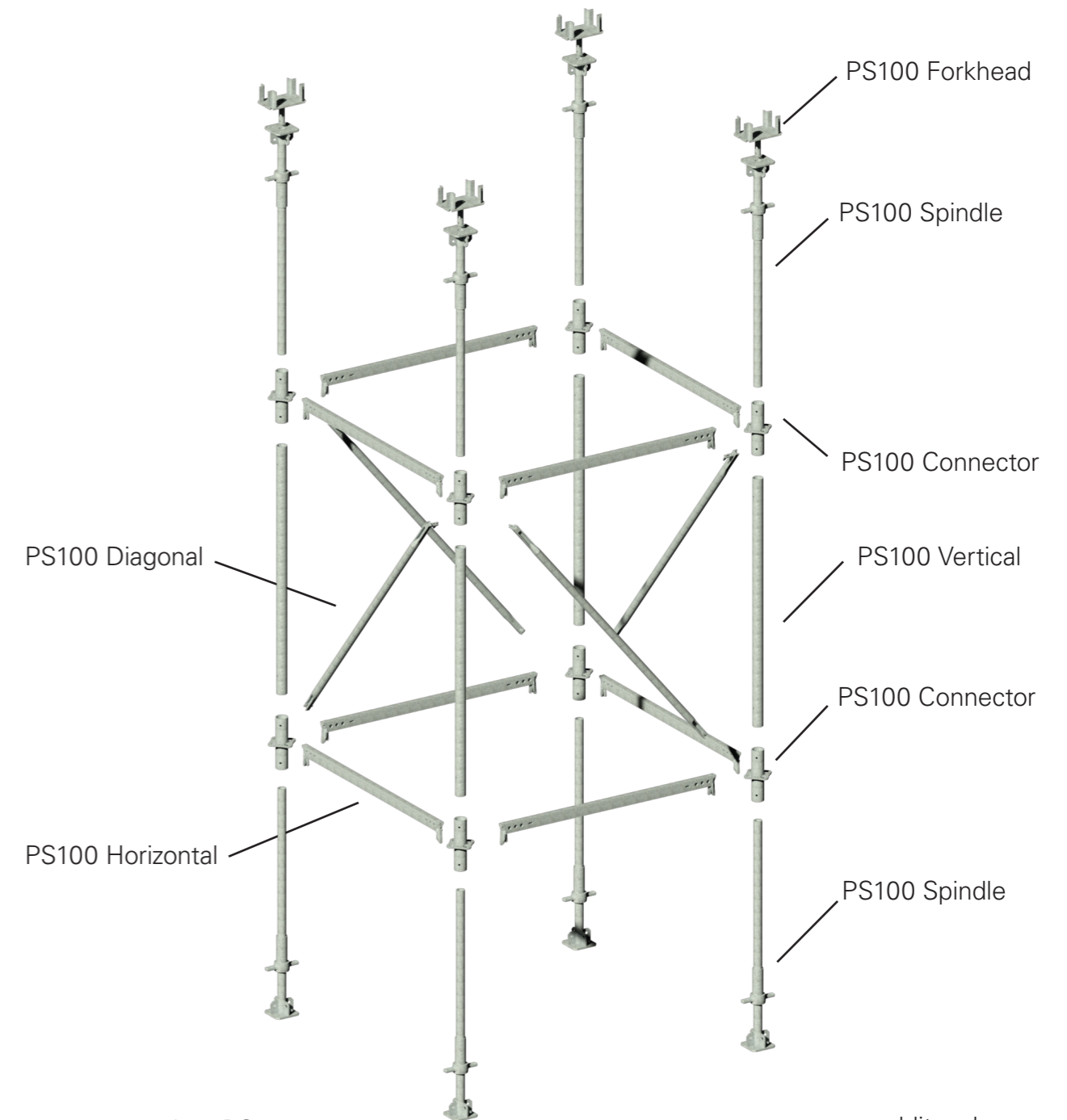
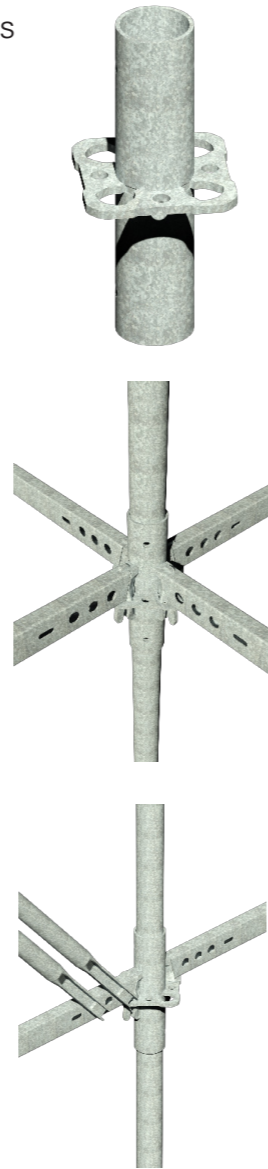


## PERI PS100 Shoring system

### Product features



- Only one type of vertical element (CHS 60.4 x4 mm) for the bottom, middle and top of the tower. Therefore, the assembly of PS100 system is fast and optimised from the logistics side.
- PS100 Connector is used for all joints between vertical elements. It combines a base standard, spigot and nodal connecting ring, all into one piece.
- PS100 Horizontal has a gravity lock for quick assembly and provides high connection rigidity with a "knee-type" connection. Two diagonals can be installed in one PS100 Horizontal.
- PS100 Diagonal is a light and easy to install diagonal.
- PS100 Spindle can be used with extension up to 525 mm without additional bracing due to high-load bearing capacity.



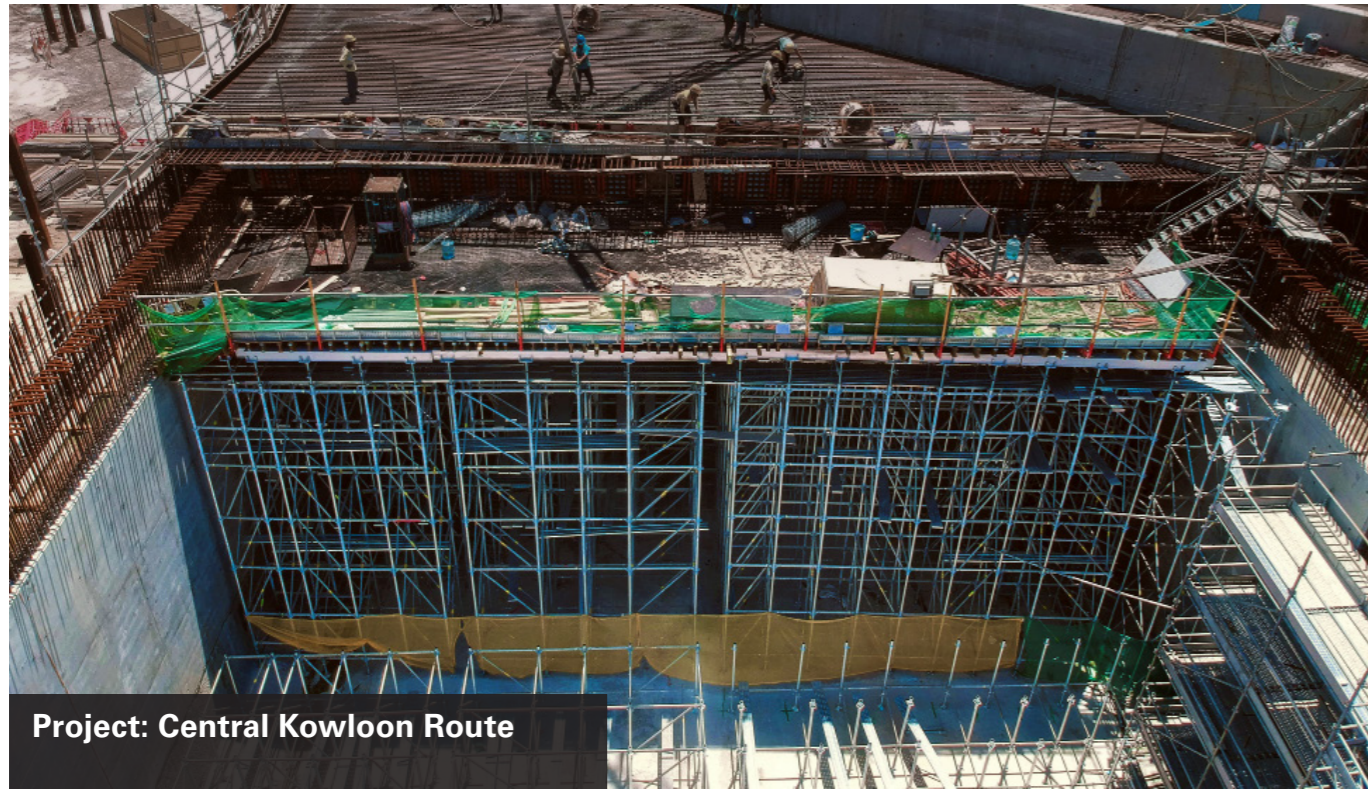
explore PS100  
in 3D:



additional  
information:



# PERI PS100 Shoring system Reference projects



## PERI PS100 Shoring system Technical Data

### ■ PS100 Vertical

Cross-section: CHS 60.3 x 4.0 mm

Characteristic value of yield strength: 355 N/mm<sup>2</sup>

Permissible load for Vertical 500 /1000 / 1500 in PS100 Tower (every node is restrained by horizontals): 100 kN (FOS = 2.0)

Permissible load for Vertical 2000 in PS100 tower (every node is restrained by horizontals): 58.5 kN (according to Eurocode 3)

### ■ PS100 Horizontal

Cross-section: RHS 60x30x2.0 mm

Characteristic value of yield strength: 355 N/mm<sup>2</sup>

Permissible bending moment (in the middle):  $M_y = 1.349$  kNm

Permissible reaction force:  $V = 10$  kN

Permissible normal force for the connection point between PS100 Diagonal (or UBL) and PS100 Horizontal (or UH Plus / UH-2):  $N_v = 8.2$  kN

### ■ PS100 Spindle

Cross-section: CHS 48.3x6.0mm

Characteristic value of yield strength: 355 N/mm<sup>2</sup>

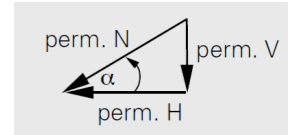
Base plate: 150x150x10 mm

### ■ PS100 Diagonals

Cross-section: CHS 42.4x2.0 mm

Characteristic value of yield strength: 355 N/mm<sup>2</sup>

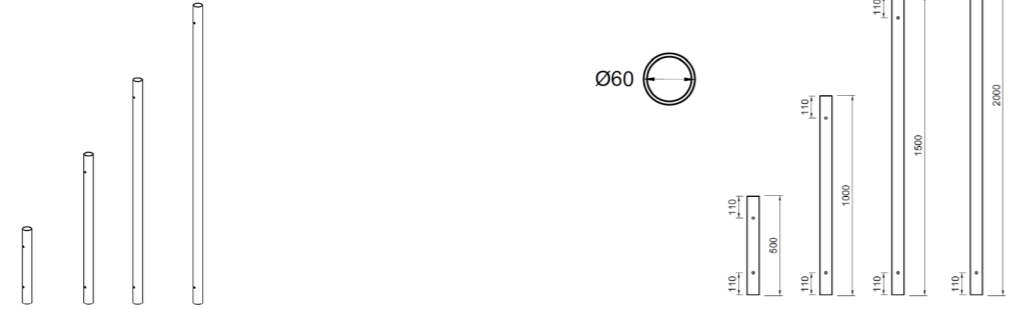
Permissible loads for PS100 Diagonals:



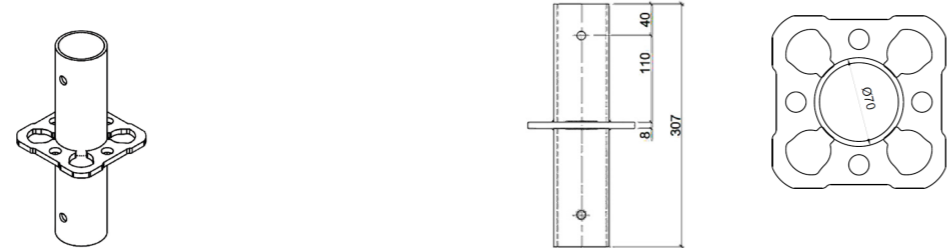
L / H, mm	angle	Compression (-)			Tension (+)		
		perm.N, kN	perm. H, kN	perm.V, kN	perm.N, kN	perm. H, kN	perm.V, kN
1000/500	33.7	8.2	6.82	4.55	8.2	6.82	4.55
1000/1000	53.2	8.2	4.91	6.57	8.2	4.91	6.57
1000/1500	63.4	7.73	3.46	6.91	8.2	3.67	7.33
1000/2000	69.4	6.87	2.42	6.43	8.2	2.89	7.68
1500/500	21.8	8.2	7.61	3.05	8.2	7.61	3.05
1500/1000	38.7	7.87	6.14	4.92	8.2	6.4	5.13
1500/1500	50.2	7.27	4.65	5.58	8.2	5.25	6.3
1500/2000	58	6.37	3.38	5.4	8.2	4.35	6.95
2000/500	15.9	7.47	7.18	2.05	8.2	7.89	2.25
2000/1000	29.7	7.13	6.2	3.53	8.2	7.12	4.06
2000/1500	40.6	6.52	4.95	4.24	8.2	6.23	5.34
2000/2000	48.8	5.4	3.56	4.06	8.2	5.4	6.17
2500/500	12.5	6.29	6.14	1.36	8.2	8.01	1.77
2500/1000	24	6.03	5.51	2.45	8.2	7.49	3.34
2500/1500	33.7	5.27	4.38	2.92	8.2	6.82	4.55
2500/2000	41.6	4.05	3.031	2.69	8.2	6.13	5.44

# PERI PS100 Shoring system Catalogue

Item no.	Weight kg	
200502	2.73	<b>PS100 Vertical 500</b>
200503	5.50	<b>PS100 Vertical 1000</b>
200504	8.25	<b>PS100 Vertical 1500</b>
201046	11.06	<b>PS100 Vertical 2000</b>



Item no.	Weight kg	
200501	2.61	<b>PS100 Connector</b>

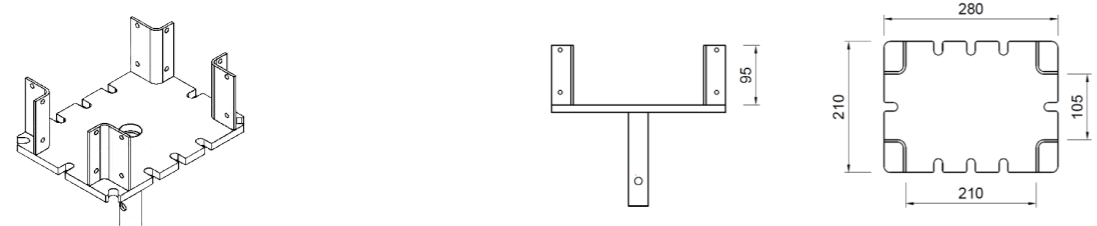


Item no.	Weight kg	
200534	11.05	<b>PS100 Spindle-2</b>
201245	10.34	<b>PS100 Spindle-2M</b> (min extension: 90mm, no bracing plates)

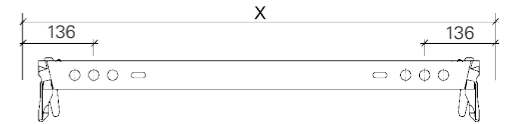


Item no.	Weight kg	
200511	7.01	<b>PS100 Forkhead</b>

For single or double AB225



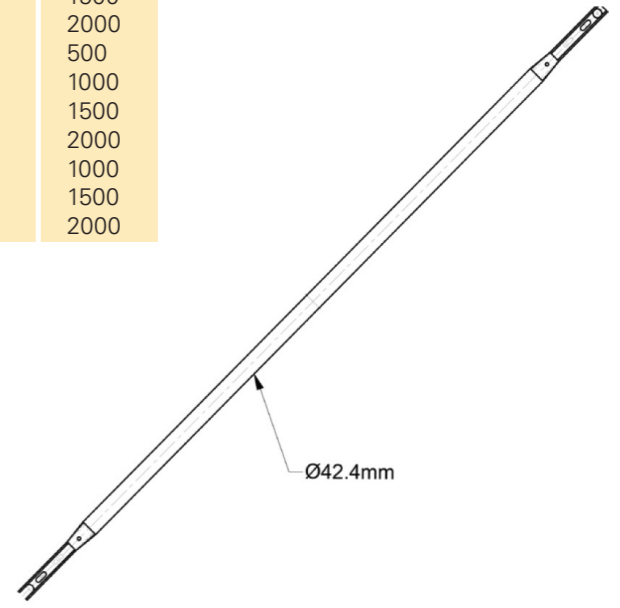
Item no.	Weight kg		X, mm
201288	1.45	<b>PS100 Horizontal-2 250</b>	272
201018	2.15	<b>PS100 Horizontal-2 500</b>	522
201198	2.83	<b>PS100 Horizontal-2 750</b>	772
201019	3.47	<b>PS100 Horizontal-2 1000</b>	1022
201020	4.78	<b>PS100 Horizontal-2 1500</b>	1522
201021	6.09	<b>PS100 Horizontal-2 2000</b>	2022
201022	7.45	<b>PS100 Horizontal-2 2500</b>	2522
201199	8.9	<b>PS100 Horizontal-2 3000</b>	3022



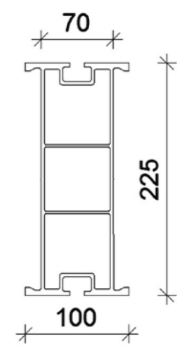
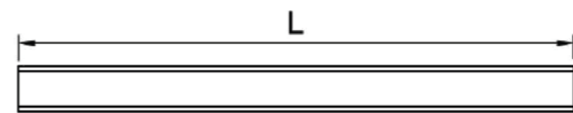
**Note**  
Replaceable by ledgers  
from PERI UP system:  
UH, UH-2

Item no.	Weight kg		X, mm	Z, mm
201023	2.14	<b>PS100 Diagonal-2 1000/500</b>	1022	500
201024	2.82	<b>PS100 Diagonal-2 1000/1000</b>	1022	1000
201025	3.66	<b>PS100 Diagonal-2 1000/1500</b>	1022	1500
201079	4.57	<b>PS100 Diagonal-2 1000/2000</b>	1022	2000
201026	3.02	<b>PS100 Diagonal-2 1500/500</b>	1522	500
201027	3.53	<b>PS100 Diagonal-2 1500/1000</b>	1522	1000
201028	4.23	<b>PS100 Diagonal-2 1500/1500</b>	1522	1500
201080	5.01	<b>PS100 Diagonal-2 1500/2000</b>	1522	2000
201029	3.96	<b>PS100 Diagonal-2 2000/500</b>	2022	500
201030	4.34	<b>PS100 Diagonal-2 2000/1000</b>	2022	1000
201031	4.39	<b>PS100 Diagonal-2 2000/1500</b>	2022	1500
201081	5.60	<b>PS100 Diagonal-2 2000/2000</b>	2022	2000
201033	5.22	<b>PS100 Diagonal-2 2500/1000</b>	2522	1000
201034	5.69	<b>PS100 Diagonal-2 2500/1500</b>	2522	1500
201082	6.29	<b>PS100 Diagonal-2 2500/2000</b>	2522	2000

**Note**  
Replaceable by diagonals  
from PERI UP system:  
UBL, UBL-2

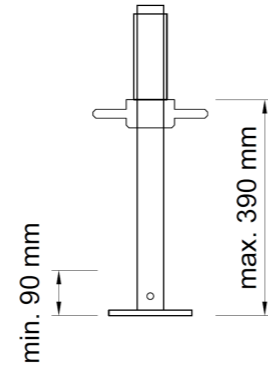
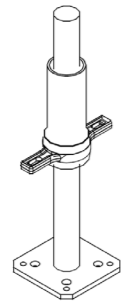


Item no.	Weight kg		Technical data
200716	15.10	<b>AB225 1800</b>	Flexural rigidity (EI): 1468 kNm <sup>2</sup> Cross-section area (A): 33.06 cm <sup>2</sup> Permissible reaction force (support width 200 mm, min distance to the edge 200mm): 100 kN Permissible bending moment: 25 kNm Permissible shear force: 69 kN Weight: 8.2 kg/m
200717	20.10	<b>AB225 2400</b>	
200718	34.58	<b>AB225 4200</b>	
200719	25.20	<b>AB225 3000</b>	
200720	30.20	<b>AB225 3600</b>	
200721	40.30	<b>AB225 4800</b>	
200722	45.30	<b>AB225 5400</b>	
200723	48.58	<b>AB225 5900</b>	



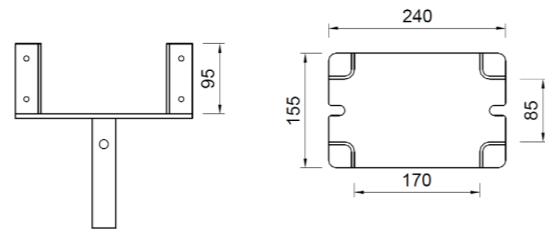
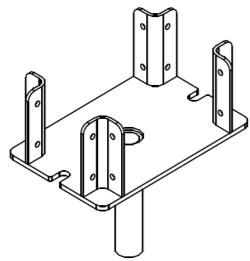
# PERI PS100 Shoring system Catalogue

Item no.	Weight kg	
201069	7.61	<b>PS100 Spindle-2S</b>



Item no.	Weight kg	
201070	2.81	<b>PS100 VT20 Forkhead</b>

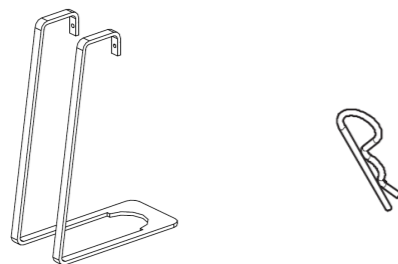
For single or double VT20 Girder



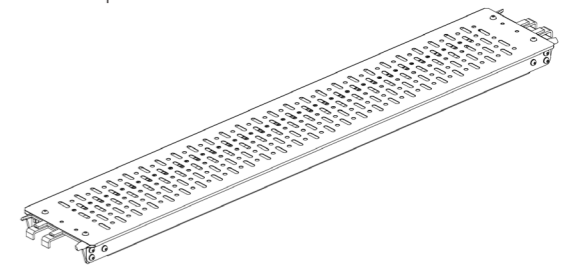
200842	0.066	<b>Hex Bolt ISO 4017 M10x90-8.8</b>
200050	0.060	<b>Hex Bolt ISO 4014 M10x70- 8.8</b>
200013	0.010	<b>Hex Nut ISO 4032 M10</b>

M10x90 - tension connection between PS100 Connector and PS100 Vertical.  
M10x70 - tension connection between PS100 Forkhead and PS100 Spindle

200848	0.368	<b>Spindle Safety Strap</b>
018060	0.010	<b>Cotter Pin 4/1</b>
200344		To prevent spindles from failing out during moving with a crane.



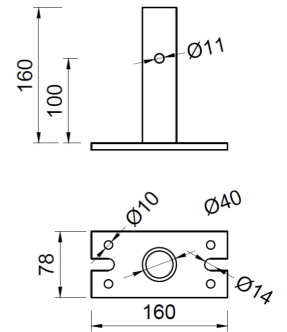
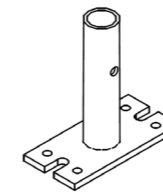
Item no.	Weight kg			
201272	4.16	<b>PS100 Deck 500</b>	<b>Note</b> Mounted on RHS 60x30 (PS100 Ledgers / UH / UH-2) Suitable for PS100 and PERI UP One side can be adjusted 22 mm. The red mark at the top indicates the position for PS100. Width: 245 mm	<b>Technical data</b> Permissible distributed load: 2 kN/m <sup>2</sup> Load Class 3 according to EN 12811-1, table 3
201264	5.26	<b>PS100 Deck 750</b>		
201265	6.52	<b>PS100 Deck 1000</b>		
201266	8.72	<b>PS100 Deck 1500</b>		
201267	10.92	<b>PS100 Deck 2000</b>		
201268	12.92	<b>PS100 Deck 2500</b>		
201269	15.32	<b>PS100 Deck 3000</b>		



Item no.	Weight kg	
201037	1.27	<b>Alubeam Guardrail Post Holder</b>

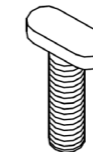
**Note**

- Mounted on AB225 with T-Bolt M12x45 (200770) x 2 pc. and Nut M12 (200047) x 2 pc.
- Mounted on VT20 girders with screws
- Use tube guardrail post CHS 48.3x3.2



200770	0.100	<b>T-Bolt M12x45-8.8</b>
200047	0.017	<b>Hex Nut ISO4032 M12-8</b>

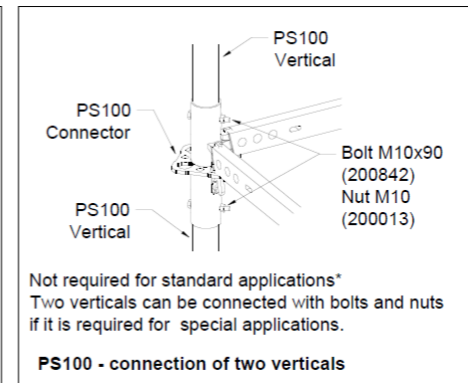
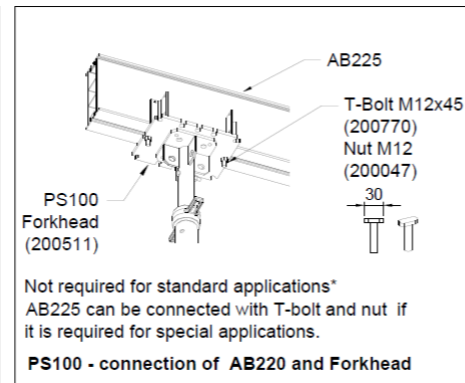
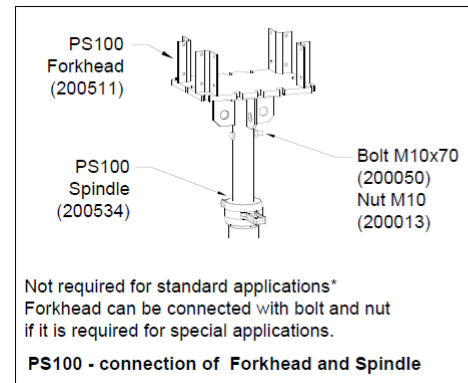
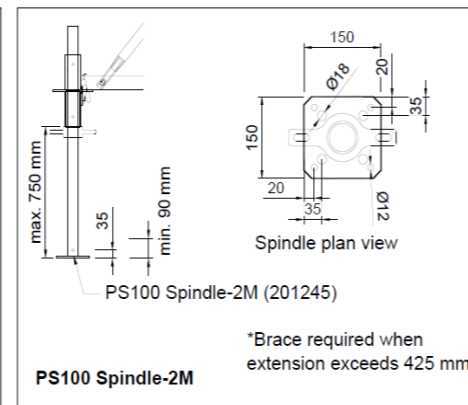
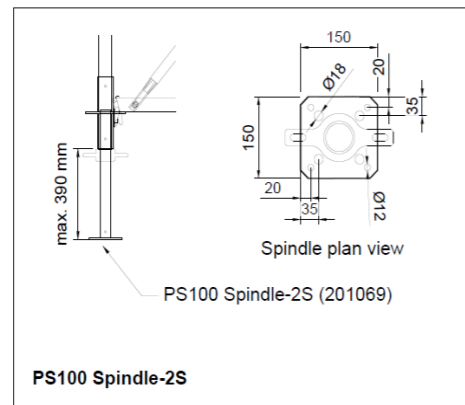
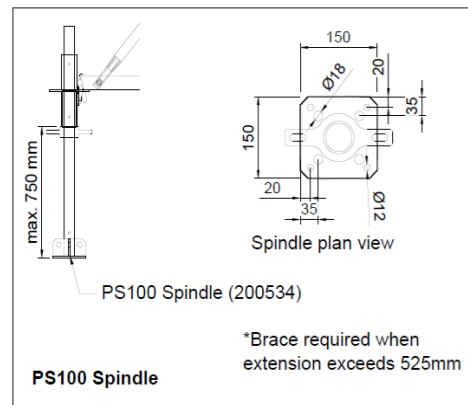
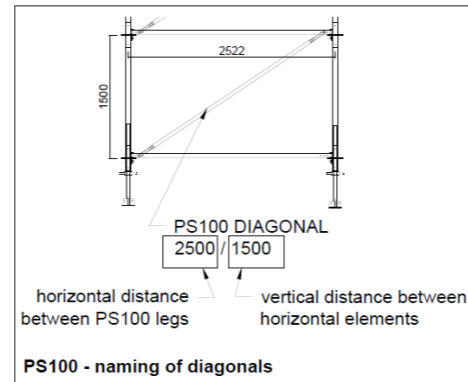
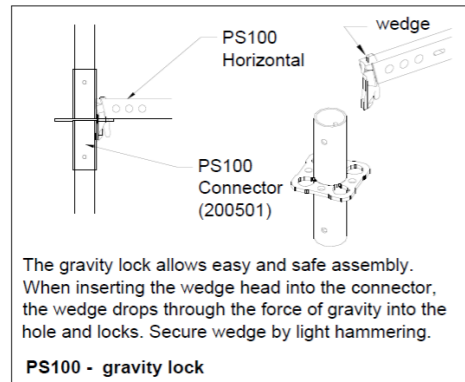
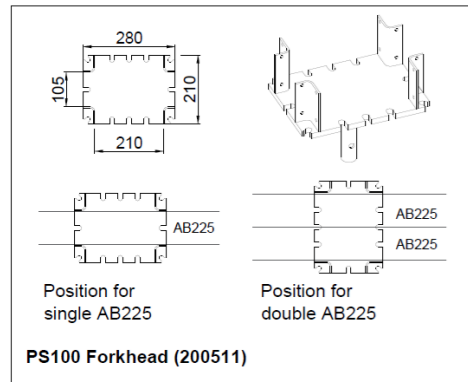
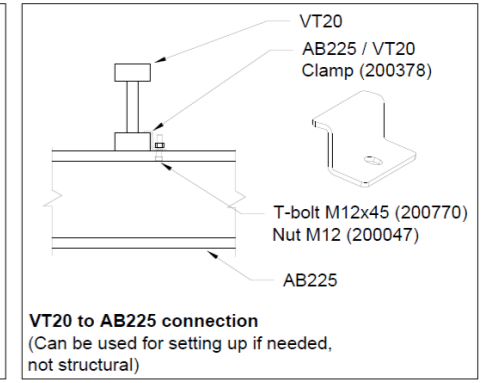
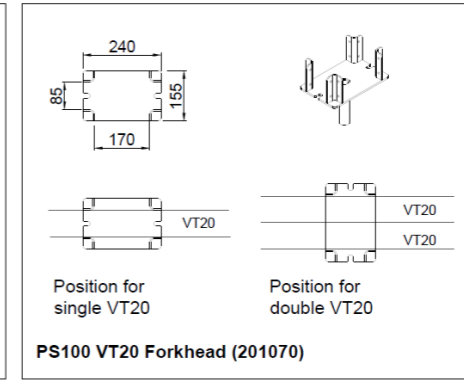
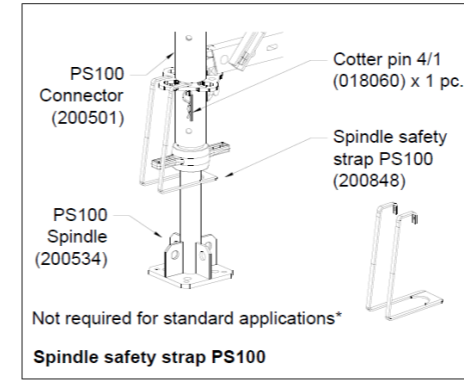
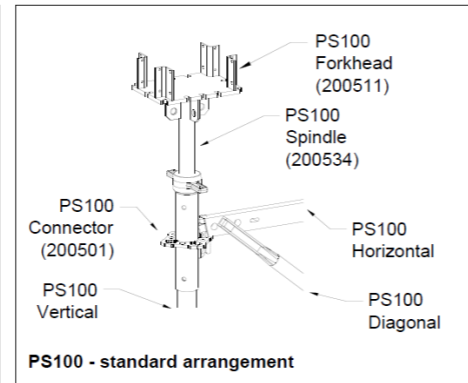
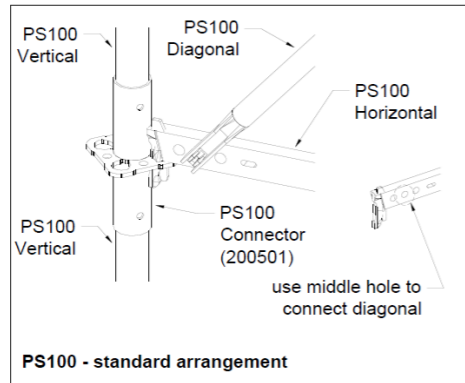
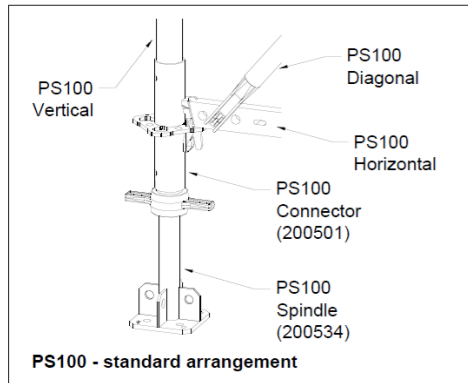
For connection of different accessories to AB225





# PERI PS100 Shoring system

## Typical details



Scan to contact us:



[info@perihk.com](mailto:info@perihk.com)



**Formwork Scaffolding Engineering** [www.perihk.com](http://www.perihk.com)

