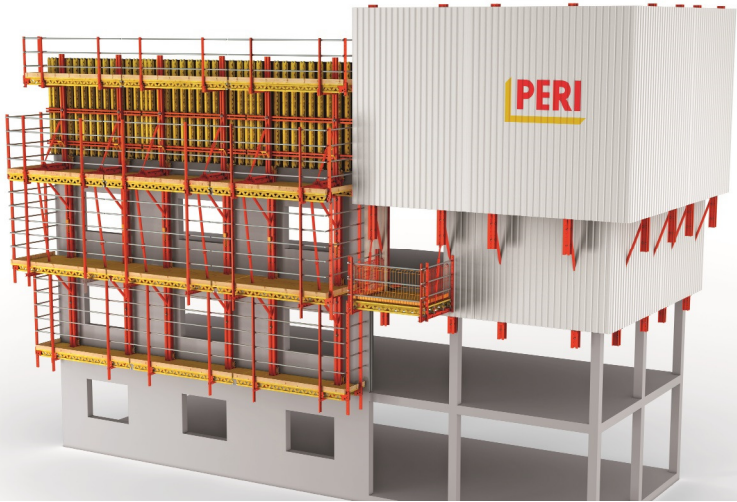


PERI Rental Criteria

RCS Rail Climbing System



Contact

PERI GmbH
Formwork Scaffolding
Engineering

P.O. Box 1264
 89264 Weissenhorn, Germany
 Phone +49 (0) 7309.950-0
 Fax +49 (0) 7309.951-0
 rental-criteria@peri.de

Content	Page
Hydraulic Pump	2
Climbing Device	7
Climbing Shoe Wall Shoe Slab Shoe	11
Climbing Rail + Accessories	20
LPS + Accessories	29
Accessories	40
Glossary	80

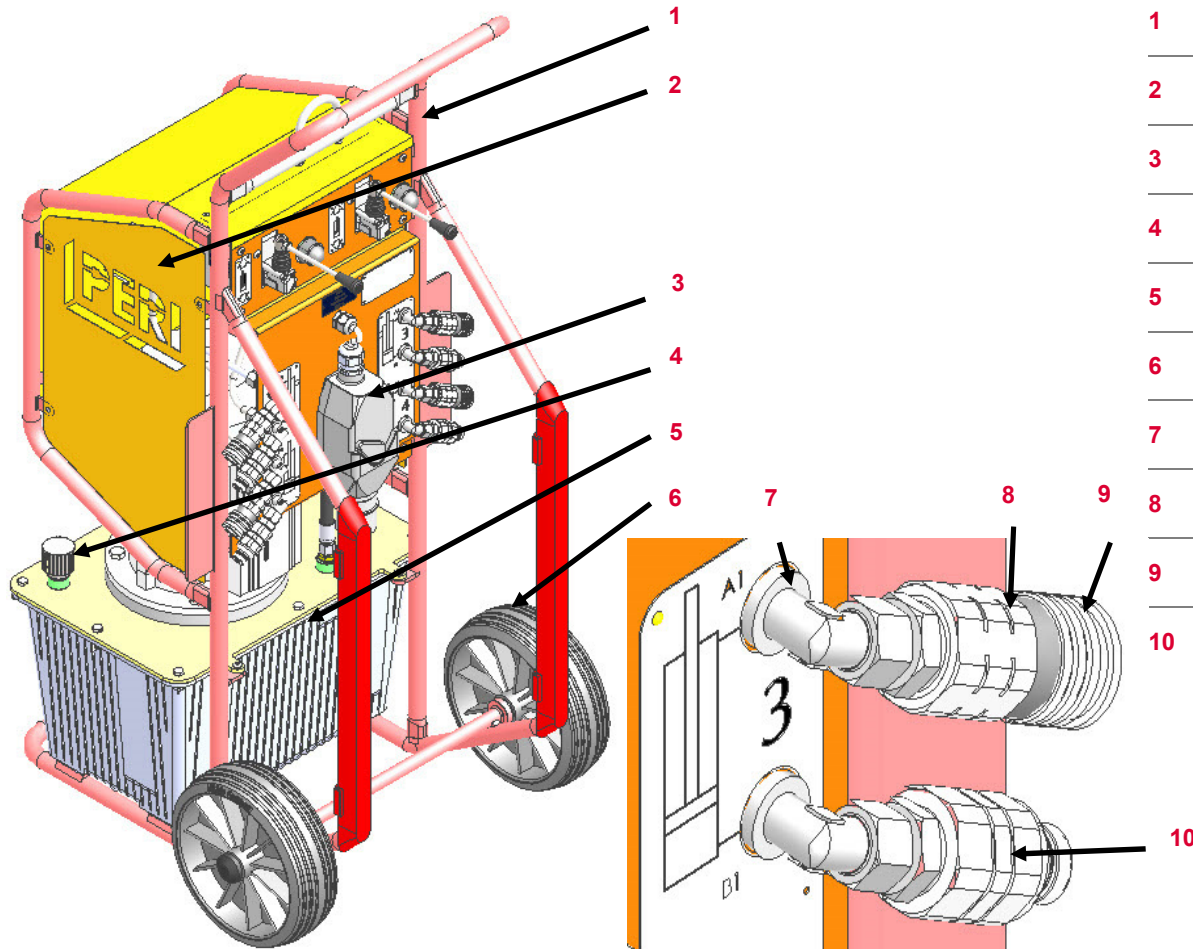
Changes made	Date Initial	Page
New Version	03/2018 fw	

PERI Rental Criteria

RCS Rail Climbing System



Hydraulic Pump RCS 4x190 bar– 380-460V (109766)	No.	Name	TRIES Article number	PERI Article number
---	-----	------	----------------------	---------------------








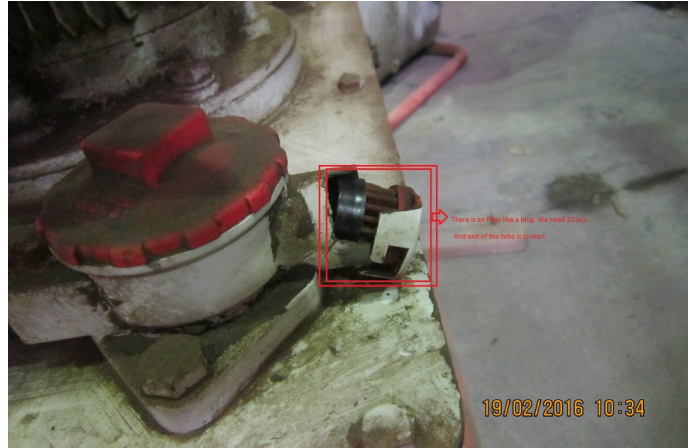








1	Side Plate rRight	SK050316A-5	
2	Side plate left	SK050316A-4	
3	Plug	K016.432	
4	Return Filter	K017.006	
5	Oil Reservoir	964.020.002.001	
6	Wheel	K016.430	
7	Fitting WSV	K018.336	
8	Fitting EGE	K018.477	
9	Quick Coupling Socket	K041.426	110822
10	Quick Coupling Nipple	K041.427	110823

PERI Rental Criteria

RCS Rail Climbing System





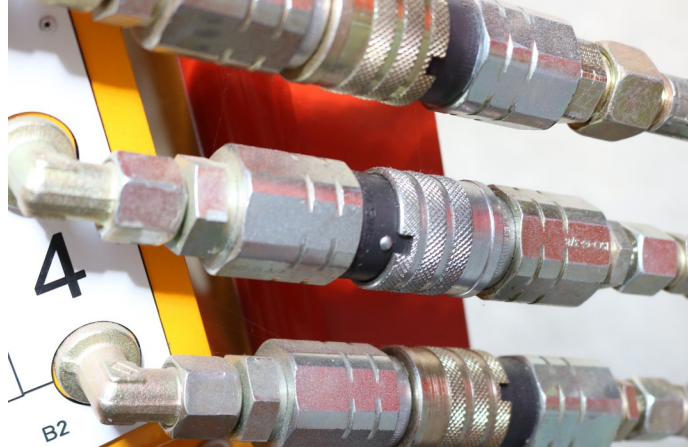








Hydraulic Pump RCS	Description	Instruction	Billing Condition	Type
 <p>This plug with filter is broken, you can see on picture left that is running item. We need 10 pcs of this plug.</p>	<p>13.40.01 Oil Breather Filter</p> <ul style="list-style-type: none"> ■ Missing ■ Or damaged due to force 	<p>K017.014</p>  <p>K017.014</p> 	 	 
 <p>There is an filter like a plug. We need 20 pcs. And end of the tube is broken.</p>	<p>13.40.02 Return Filter</p> <ul style="list-style-type: none"> ■ Missing ■ Or damaged due to force 	 	 	 

PERI Rental Criteria

RCS Rail Climbing System

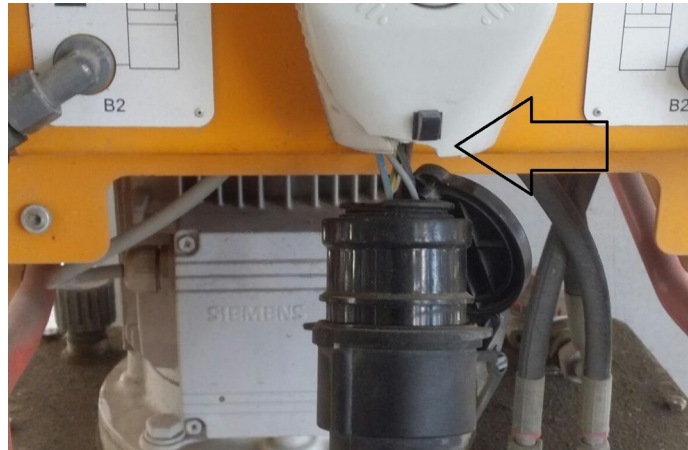










Hydraulic Pump RCS	Description	Instruction	Billing Condition	Type
	<p>13.40.03 Breather filter with control valve damaged</p>	<p> K017.036</p>	<p></p>	<p></p>
	<p>13.40.04 Quick- Coupling Nipple Socket</p> <ul style="list-style-type: none"> ■ Missing ■ Or damaged due to force 	<p></p> <p></p>	<p></p> <p></p>	<p></p> <p></p>

PERI Rental Criteria

RCS Rail Climbing System














Hydraulic Pump RCS	Description	Instruction	Billing Condition	Type
	<p>13.40.05 Plug damaged</p>	 		
	<p>13.40.06 Oil Reservoir damaged leaking</p>			

PERI Rental Criteria

RCS Rail Climbing System



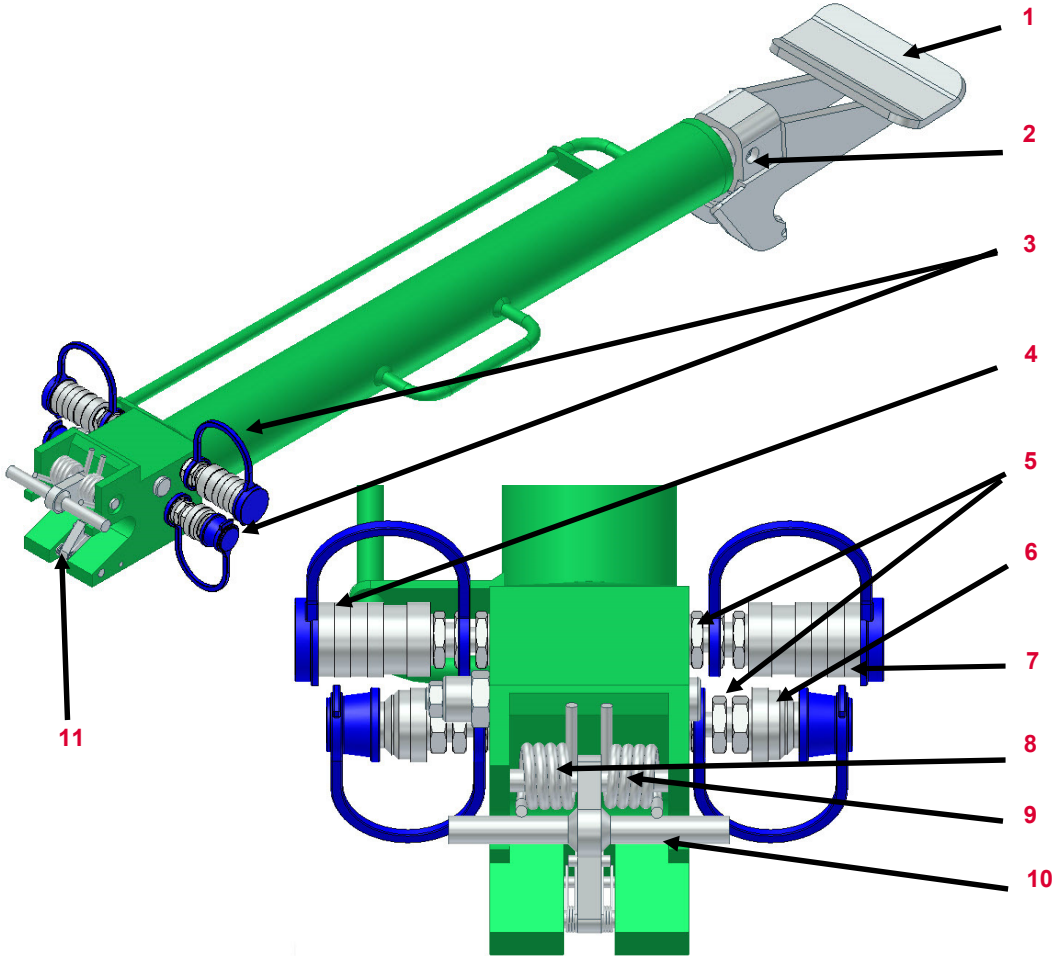
Hydraulic Pump RCS	Description	Instruction	Billing Condition	Type
	<p>13.40.07 Wheel damaged (function not given)</p>			
	<p>13.40.08 Type Plate</p> <ul style="list-style-type: none"> ■ Missing ■ Or not readable 	<ul style="list-style-type: none">  K099.003  K099.003 	<ul style="list-style-type: none">   	<ul style="list-style-type: none">  

PERI Rental Criteria

RCS Rail Climbing System



Climbing Device RCS 50 (109765)	No.	Name	TRIES Article number	PERI Article number
---------------------------------	-----	------	----------------------	---------------------




















1	Head Bearing	109.063.007.000	
2	Threaded Pin M 12x30	K008.109	
3	Protective Caps (4 Piece)		125632
4	Sealing Coupling G3/8"	K041.426	
5	Fitting	109.063G.11.00 0	
6	Quick Coupling Nipple	K041.427	110823
7	Quick Coupling Socket	K.041.426	110822
8	Leg Spring right	K010.504	
9	Leg Spring left	K010.503	
10	Shaft	SK050314A-8	
11	Rocker	SK050314A-9	

PERI Rental Criteria

RCS Rail Climbing System














Climbing Device RCS 50 (109765)	Description	Instruction	Billing Condition	Type
	13.40.09 Protective Caps			
	<ul style="list-style-type: none"> ■ Missing 			
	<ul style="list-style-type: none"> ■ Or damaged due to force 			
	13.40.10 Fitting Couplings			
	<ul style="list-style-type: none"> ■ Missing 			
	<ul style="list-style-type: none"> ■ Or leaking 			
	<ul style="list-style-type: none"> ■ Or rusty dirty because of missing protective caps 			

PERI Rental Criteria

RCS Rail Climbing System

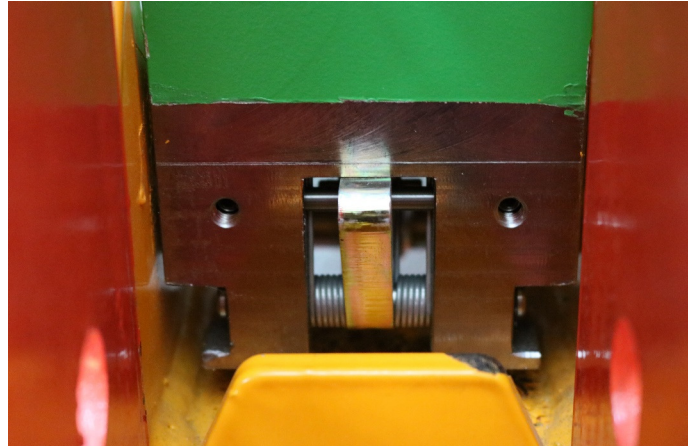








Climbing Device RCS 50 (109765)	Description	Instruction	Billing Condition	Type
	<p>13.40.11 Threaded Pin broken</p>			
	<p>13.40.12 Shaft Rocker</p> <ul style="list-style-type: none"> ■ Worn ■ Or damaged due to force 	 	 	 

PERI Rental Criteria

RCS Rail Climbing System



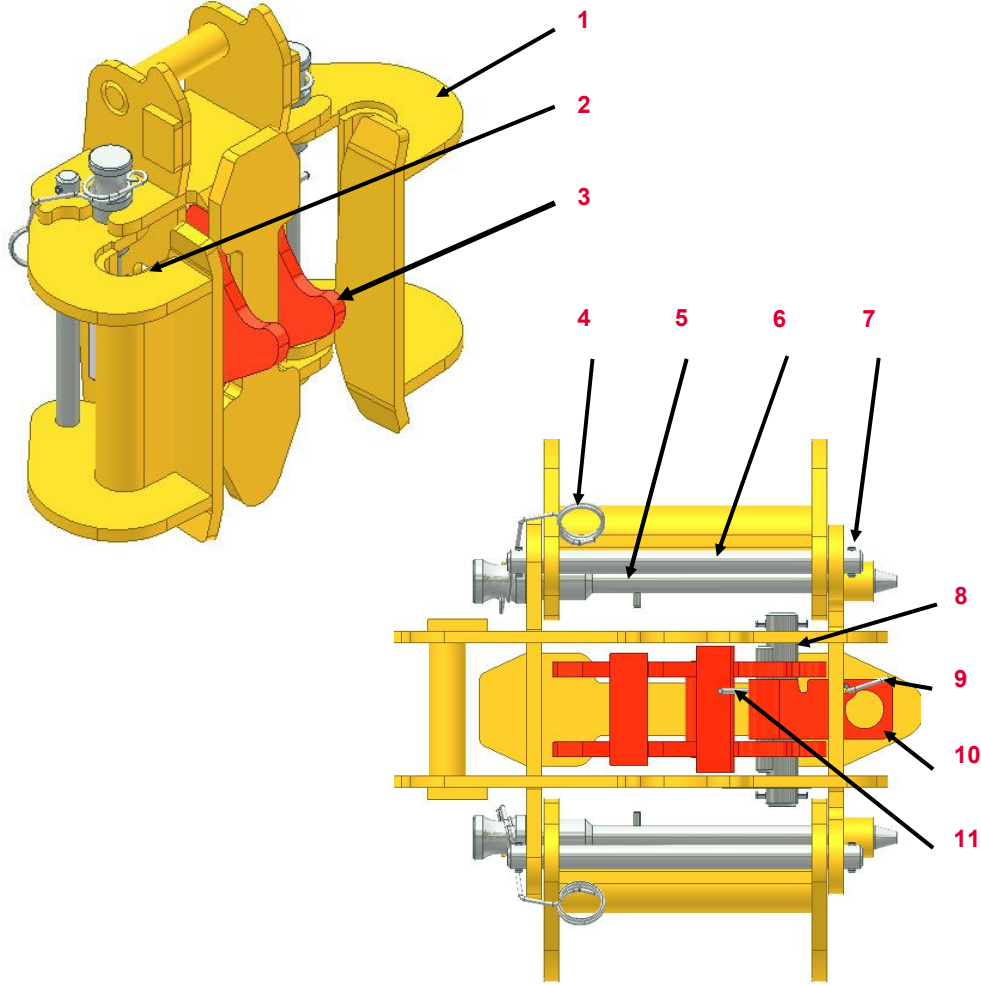
Climbing Device	Description	Instruction	Billing Condition	Type
	<p>13.40.13 Springs</p> <ul style="list-style-type: none"> ■ Worn ■ Or damaged due to force 	<p>Worn: </p> <p>Damaged: </p>	<p>Worn: </p> <p>Damaged: </p>	<p>Worn: </p> <p>Damaged: </p>

PERI Rental Criteria

RCS Rail Climbing System



Climbing Shoe RCS (109468)	No.	Name	Article number
----------------------------	-----	------	----------------

















1	Swivel Plate B	109900
2	Swivel Plate A	109534
3	Latch	109516
4	Locking Device	116067
5	Pin	109902
6	Pin 16 x 239	109508
7	Dowel Pin	750329
8	Pin 22 x 130	109527
9	Spring Lock	109903
10	Handle	109526
11	Leg Spring	109537

PERI Rental Criteria

RCS Rail Climbing System














Climbing Shoe RCS (109468)	Description	Instruction	Billing Condition	Type
	13.40.14 Latch			
	<ul style="list-style-type: none"> ■ Worn ■ Or bent 	 	 	 
	13.40.15 Leg Spring			
	<ul style="list-style-type: none"> ■ Worn ■ Or damaged due to force 	 	 	 

PERI Rental Criteria

RCS Rail Climbing System










Climbing Shoe RCS (109468)	Description	Instruction	Billing Condition	Type
	<p>13.40.16 Handle broken</p>			
	<p>13.40.17 Spring lock</p> <ul style="list-style-type: none"> ■ Missing ■ Or damaged due to force 	<ul style="list-style-type: none">   	<ul style="list-style-type: none">   	<ul style="list-style-type: none">  

PERI Rental Criteria

RCS Rail Climbing System



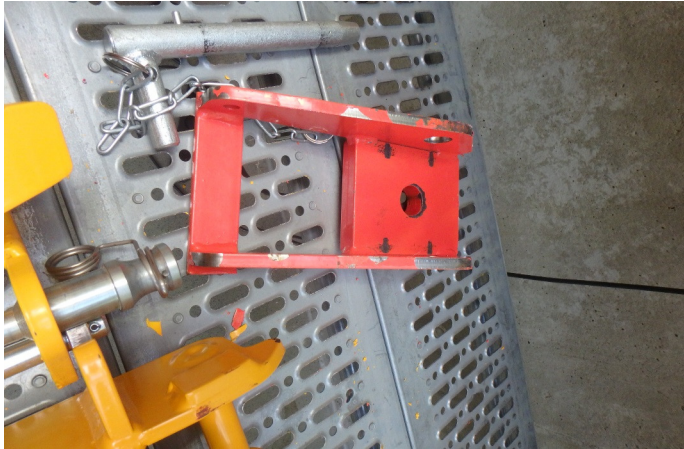
Climbing Shoe RCS (109468)	Description	Instruction	Billing Condition	Type
	<p>13.40.18 Pin Cotter Pin Dowel Pin</p> <ul style="list-style-type: none"> ■ Missing ■ Or damaged due to force 	<p>■ </p> <p>■ </p>	<p>■ </p> <p>■ </p>	<p>■ </p> <p>■ </p>

PERI Rental Criteria

RCS Rail Climbing System



Wal Shoe RCS (109503)	Description	Instruction	Billing Condition	Type
-----------------------	-------------	-------------	-------------------	------



13.40.19 Bent | Welding damaged



13.40.20 Pin | Cotter Pin | Chain

■ Missing



715585 (Pin)
022230 (Cotter Pin)
127303 (Chain)



■ Or damaged due to force



715585 (Pin)
022230 (Cotter Pin)
127303 (Chain)

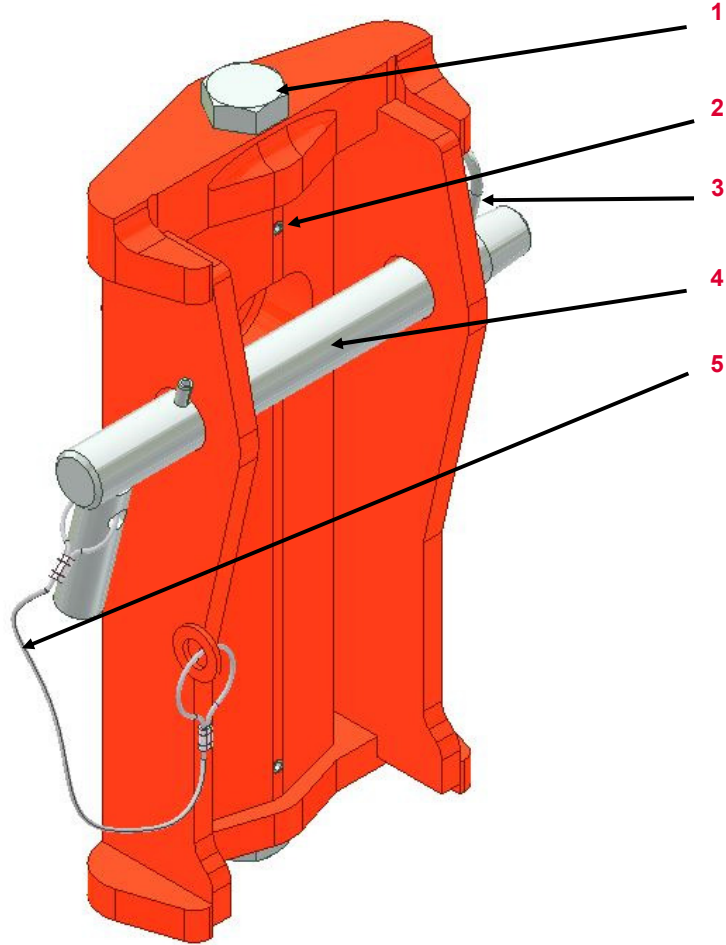


PERI Rental Criteria

RCS Rail Climbing System



Wall Shoe RCS, pivoted (110667)	No.	Name	Article number
---------------------------------	-----	------	----------------














1	Bolt M 20 x 55	111137
2	Sleeve 6,0 x 35	108195
3	Cotter Pin 5/1	022230
4	Pin	715585
5	Chain	127303

PERI Rental Criteria

RCS Rail Climbing System

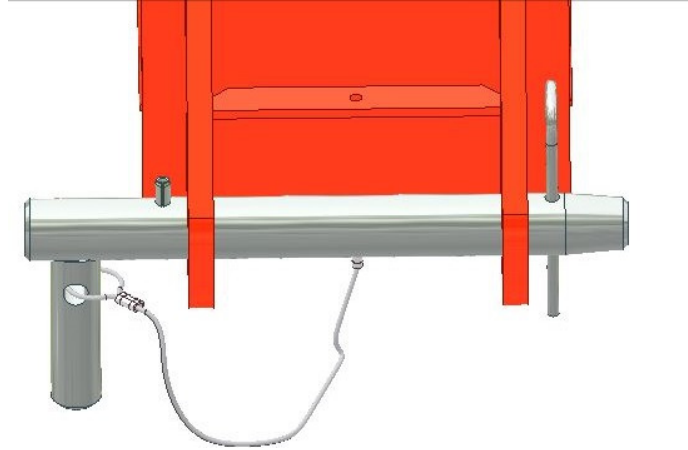






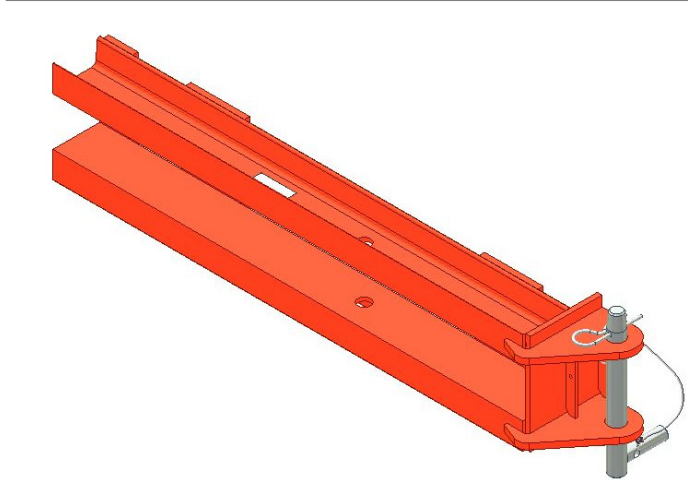








Wall Shoe RCS, pivoted (110667)	Description	Instruction	Billing Condition	Type
	<p>13.40.21 Heavily soiled (function disturbed)</p>			
	<p>13.40.22 Pin Cotter Pin Bolts Chain</p> <ul style="list-style-type: none"> ■ Missing ■ Or damaged due to force 	 	 	 

PERI Rental Criteria

RCS Rail Climbing System










Slab Shoe RCS (109567; 110375; 115570)	Description	Instruction	Billing Condition	Type
	<p>13.40.23 Pin Cotter Pin Chain</p> <ul style="list-style-type: none"> ■ Missing ■ Or damaged due to force 	<ul style="list-style-type: none">   	<ul style="list-style-type: none">   	<ul style="list-style-type: none">  
	<p>13.40.24 Bent</p> <ul style="list-style-type: none"> ■ If possible ■ Or fi not possible 	<ul style="list-style-type: none">   	<ul style="list-style-type: none">   	<ul style="list-style-type: none">  

PERI Rental Criteria

RCS Rail Climbing System



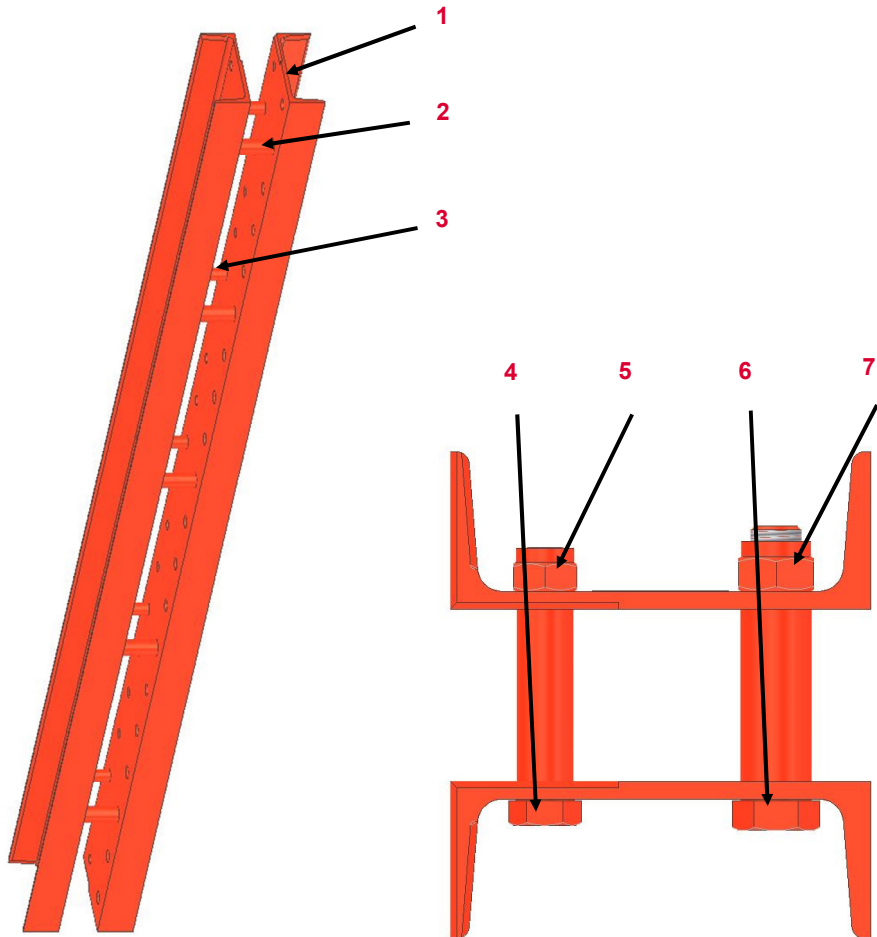
Slab Stopend Shoe RCS (113232)	Description	Instruction	Billing Condition	Type
	<p>13.40.25 Pin Cotter Pin Chain</p> <ul style="list-style-type: none"> ■ Missing ■ Or damaged due to force 	<ul style="list-style-type: none">  113247 (Pin) 022230 (Cotter Pin) 127303 (Chain)  113247 (Pin) 022230 (Cotter Pin) 127303 (Chain) 	<ul style="list-style-type: none">   	<ul style="list-style-type: none">  

PERI Rental Criteria

RCS Rail Climbing System



Climbing Rail RCS	No.	Name	Article number
-------------------	-----	------	----------------










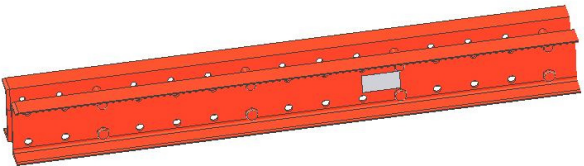



1	Rail	
2	Spacer 33,7	109642
3	Spacer 26,9	109645
4	Bolt M 20x120	104477
5	Nut M 20	781053
6	Bolt M 24x130	109612
7	Nut M 24	105032

Valid for	Article number
Climbing Rail RCS 148	114166
Climbing Rail RCS 248	109469
Climbing Rail RCS 298	112102
Climbing Rail RCS 348	109470
Climbing Rail RCS 498	109471
Climbing Rail RCS 748	109472
Climbing Rail RCS 998	109610

PERI Rental Criteria

RCS Rail Climbing System

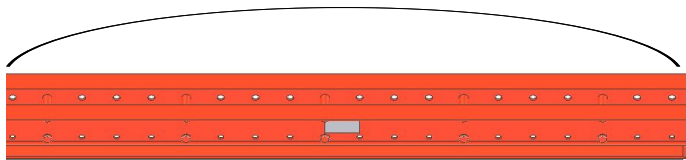







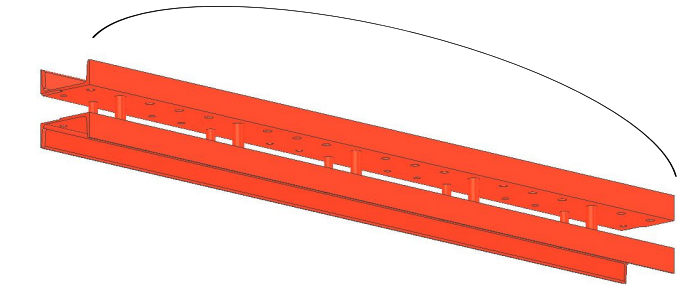









Climbing Rail RCS	Description	Instruction	Billing Condition	Type
	13.40.26 Spacer <ul style="list-style-type: none"> ■ Missing 			
	<ul style="list-style-type: none"> ■ Or placed incorrected 			
	13.40.27 Rail shortened <ul style="list-style-type: none"> ■ Shorten to next length 			

PERI Rental Criteria

RCS Rail Climbing System















Climbing Rail RCS	Description	Instruction	Billing Condition	Type
	13.40.28 Bent at the weak centre line <ul style="list-style-type: none"> ■ $\leq 16,0$ mm 			
	<ul style="list-style-type: none"> ■ Or $> 16,0$ mm 	 		
	13.40.29 Bent at the strong centre line <ul style="list-style-type: none"> ■ $\leq 8,0$ mm 			
	<ul style="list-style-type: none"> ■ Or $> 8,0$ mm 	 		

PERI Rental Criteria

RCS Rail Climbing System



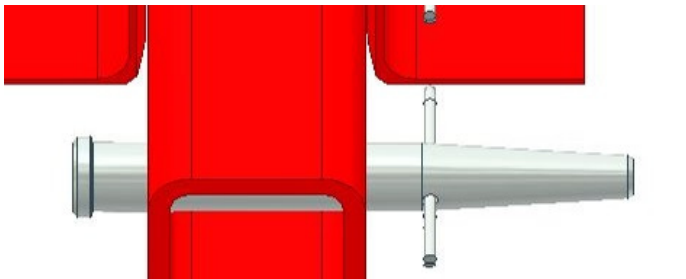


Climbing Rail RCS	Description	Instruction	Billing Condition	Type
	<p>13.40.30 Dents in profile</p> <ul style="list-style-type: none"> ■ If possible ■ Or if not possible 	<ul style="list-style-type: none">   	<ul style="list-style-type: none">   	<ul style="list-style-type: none">  
<p>82 + 4; - 2</p> 	<p>13.40.31 Distance between the U- Profiles out of tolerance</p>	 		

PERI Rental Criteria

RCS Rail Climbing System



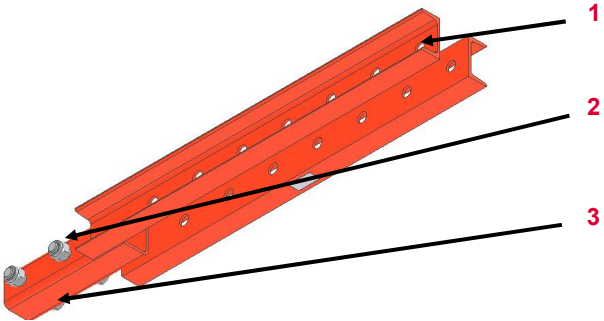
Climbing Rail Extension RCS (113745)	Description	Instruction	Billing Condition	Type
	13.40.32 Bent			
	<ul style="list-style-type: none"> <li data-bbox="846 566 1294 614">■ If possible <li data-bbox="846 710 1294 751">■ Or if not possible 	<div data-bbox="1305 547 1375 616" style="display: inline-block; margin-right: 10px;"></div> <div data-bbox="1305 695 1447 764" style="display: inline-block;"></div>	<div data-bbox="1805 547 1874 616" style="display: inline-block; margin-right: 10px;"></div> <div data-bbox="1805 695 1874 764" style="display: inline-block;"></div>	<div data-bbox="2089 547 2159 616" style="display: inline-block; margin-right: 10px;"></div> <div data-bbox="2089 695 2159 764" style="display: inline-block;"></div>
	13.40.33 Spacer			
	<ul style="list-style-type: none"> <li data-bbox="846 906 1294 954">■ Missing <li data-bbox="846 1050 1294 1102">■ Or damaged due to force 	<div data-bbox="1305 887 1375 957" style="display: inline-block; margin-right: 10px;"></div> <div data-bbox="1305 1034 1375 1102" style="display: inline-block;"></div>	<div data-bbox="1805 887 1874 957" style="display: inline-block; margin-right: 10px;"></div> <div data-bbox="1805 1034 1874 1102" style="display: inline-block;"></div>	<div data-bbox="2089 887 2159 957" style="display: inline-block; margin-right: 10px;"></div> <div data-bbox="2089 1034 2159 1102" style="display: inline-block;"></div>
	13.40.34 Pin Cotter Pin	<div data-bbox="1305 1174 1375 1243" style="display: inline-block; margin-right: 10px;"></div>	<div data-bbox="1805 1174 1874 1243" style="display: inline-block;"></div>	<div data-bbox="2089 1174 2159 1243" style="display: inline-block;"></div>

PERI Rental Criteria

RCS Rail Climbing System



Climbing Rail Extension RCS 100 (109791)	No.	Name	Article number
--	-----	------	----------------



1	U- Profile		
2	Nut M 24-8	105032	
3	Bolt M24x130	109612	

Damage	Description	Instruction	Billing Condition	Type
--------	-------------	-------------	-------------------	------

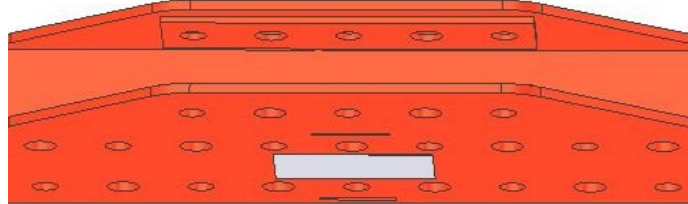






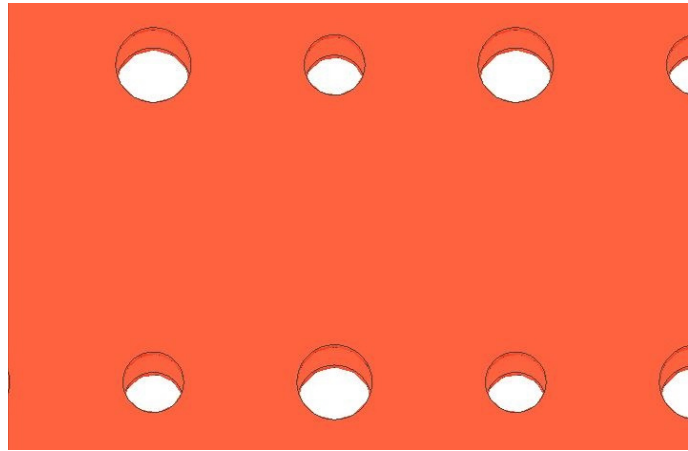






	13.40.35 Edges of U- profile bent <ul style="list-style-type: none"> ■ If possible 			
	<ul style="list-style-type: none"> ■ Or if not possible 			

	13.40.36 U- profile bent <ul style="list-style-type: none"> ■ If possible 			
	<ul style="list-style-type: none"> ■ Or if not possible 			

PERI Rental Criteria

RCS Rail Climbing System



Climbing Rail Connector (111390)	Description	Instruction	Billing Condition	Type
	<p>13.40.37 Bent</p> <ul style="list-style-type: none"> ■ If possible ■ Or if not possible 	<ul style="list-style-type: none">   	<ul style="list-style-type: none">   	<ul style="list-style-type: none">  
	<p>13.40.38 Connection holes worn</p> <ul style="list-style-type: none"> ■ Original geometry given ■ Or if not given 	<ul style="list-style-type: none">   	<ul style="list-style-type: none">   	<ul style="list-style-type: none">  

PERI Rental Criteria

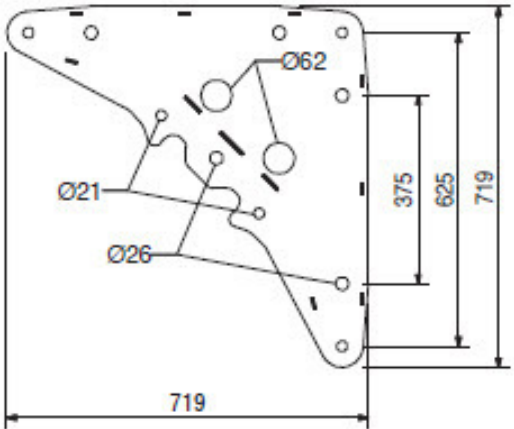
RCS Rail Climbing System



Climbing Rail Angle Connector (111382)	Description	Instruction	Billing Condition	Type
--	-------------	-------------	-------------------	------



13.40.39 Bent



13.40.40 Connection holes worn

- Original geometry given
- Or if not given

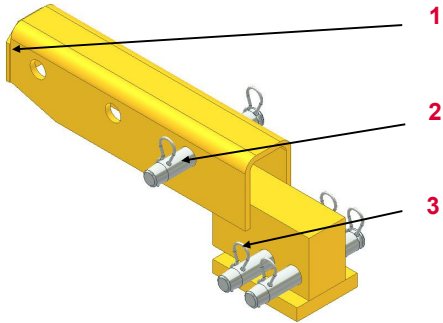


PERI Rental Criteria

RCS Rail Climbing System

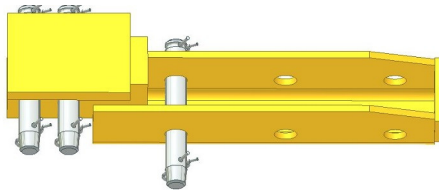


Climbing Rail Hinge RCS (110569)	No.	Name	Article number
----------------------------------	-----	------	----------------



1	Cover Plate	110617
2	Pin Ø 25x180	710894
3	Cotter Pin 4/1	018060

Damage	Description	Instruction	Billing Condition	Type
--------	-------------	-------------	-------------------	------



13.40.41 Bent



13.40.42 Cover plate bent

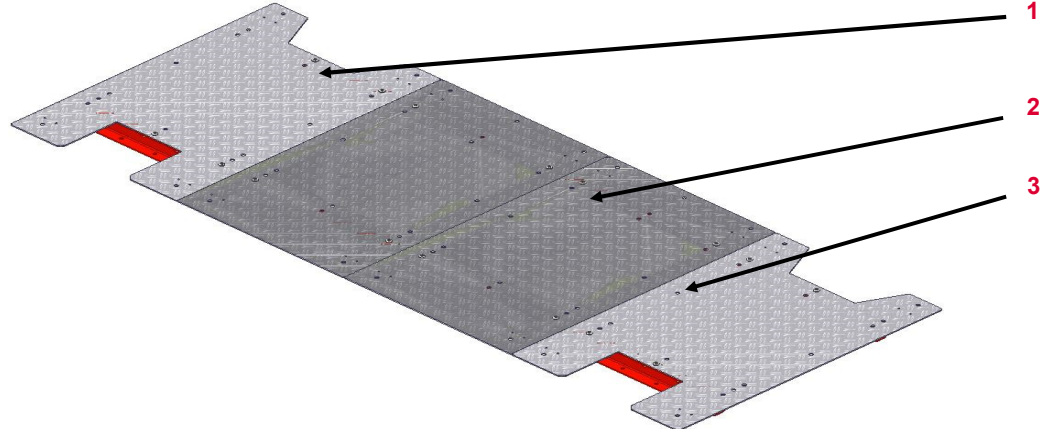


PERI Rental Criteria

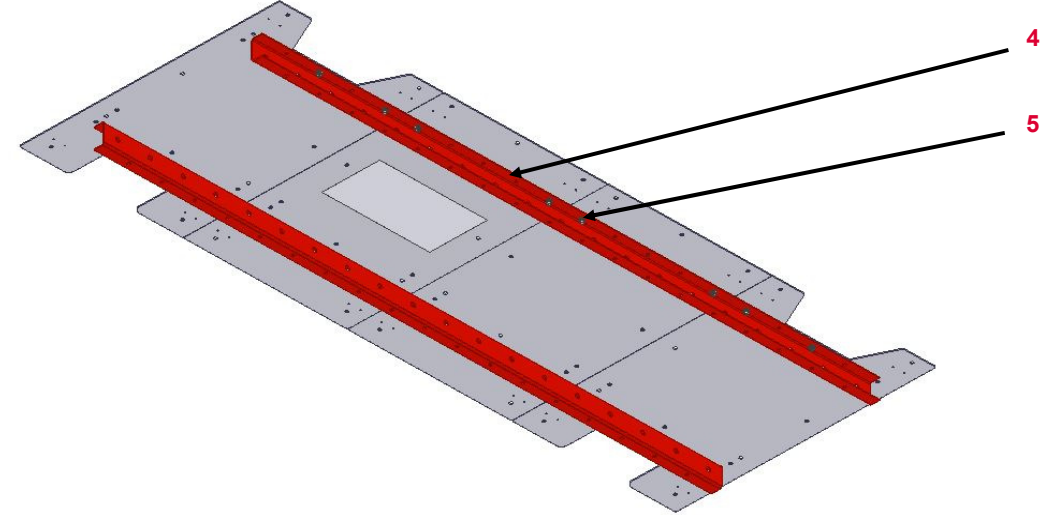
RCS Rail Climbing System



Platform LPS	No.	Name	Article number
--------------	-----	------	----------------



1	Cover Bracket KO. 62,5	126020
2	Cover Bracket 62,5 VZ	125937
3	Bolt M 10 x 25	125991
4	Beam LPS	
5	Nut M 10	780356
























Valid for	Article number
Platform LPS 500	125980
Platform LPS 250	125981
Platform LPS 300	125983
Platform LPS 350	125982

PERI Rental Criteria

RCS Rail Climbing System



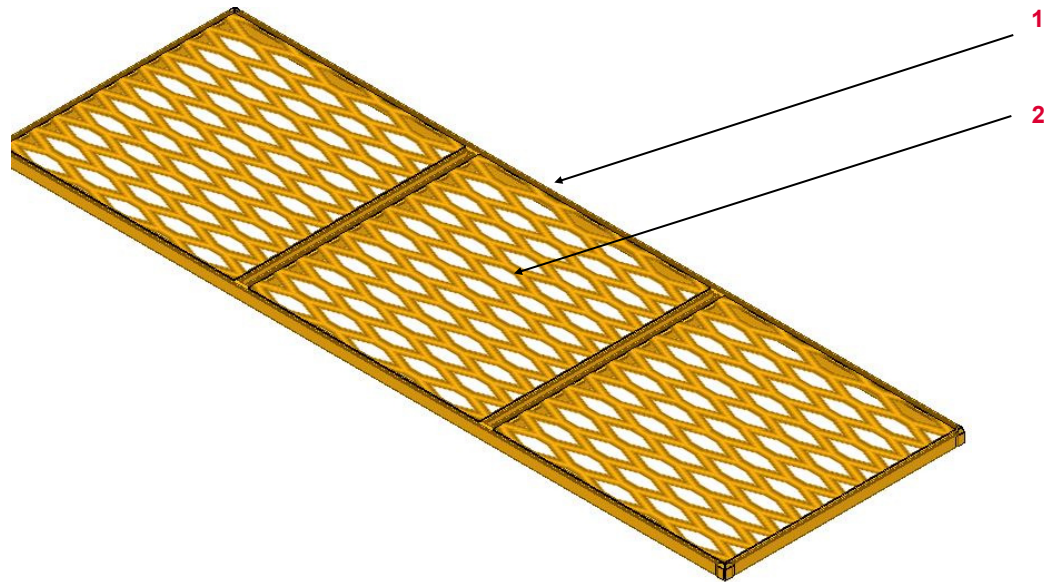
Platform LPS	Description	Instruction	Billing Condition	Type
	13.40.43 Cover Bracket bent <ul style="list-style-type: none"> ■ If possible 			
	<ul style="list-style-type: none"> ■ Or if not possible 			
	13.40.44 Bolts Nuts <ul style="list-style-type: none"> ■ Missing 			
	<ul style="list-style-type: none"> ■ Or damaged due to force 			
	13.40.45 Beam bent <ul style="list-style-type: none"> ■ If possible and bent < 1/300 			
	<ul style="list-style-type: none"> ■ Or if not possible 			

PERI Rental Criteria

RCS Rail Climbing System



Screen Element LPS



No.	Name	Article number
-----	------	----------------

- | | | |
|---|-------|--|
| 1 | Frame | |
| 2 | Mesh | |

Valid for	Article number
-----------	----------------

Screen Element DX LPS 250 x 123	127568
Screen Element DX LPS 300 x 123	127572
Screen Element DX LPS 350 x 123	127576
Screen Element DX LPS 500 x 123	127580
Screen Element DX LPS 123 x 248	127556
Screen Element DX LPS 123 x 373	127560
Screen Element DX LPS 123 x 498	127564

PERI Rental Criteria

RCS Rail Climbing System



Gitterelemente LPS	Description	Instruction	Billing Condition	Type
--------------------	-------------	-------------	-------------------	------



13.40.46 Frame bent

- \leq permitted bend (l/500)
- Or > permitted bend
- Or buckled



Element	Perm. bend
LPS 248; 250	5,0 mm
LPS 300	6,0 mm
LPS 350; 373	7,0mm
LPS 498; 500	10.0 mm



13.40.47 Mesh bent





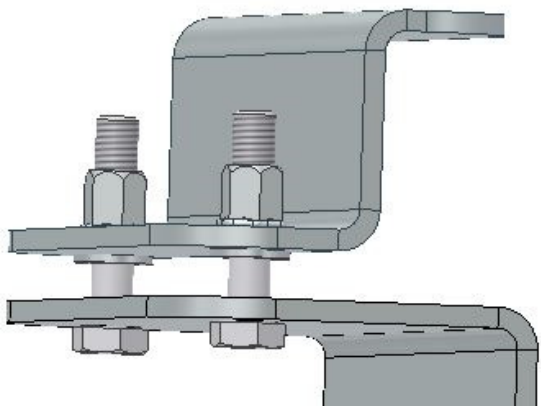



- Without cracks in material
- Or with cracks in the material



PERI Rental Criteria

RCS Rail Climbing System



Telescope Tube LPS (125972)	Description	Instruction	Billing Condition	Type
	<p>13.40.48 Bent Buckled</p>			
	<p>13.40.49 Z- Clamp bent</p>	 125986		

PERI Rental Criteria

RCS Rail Climbing System



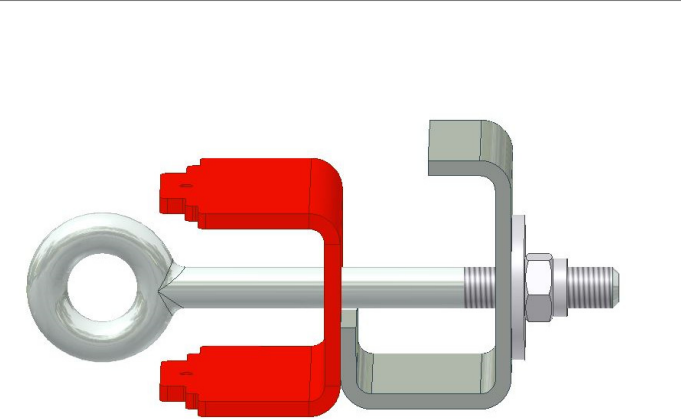
Screen Adapter LPS (117166; 117152; 124226)	Description	Instruction	Billing Condition	Type
---	-------------	-------------	-------------------	------



13.40.50 Mesh Panel Clamp bent



117063 (Single)
128669 (Double)
117158 (Telescop)



13.40.51 Ring Bolt bent



126003

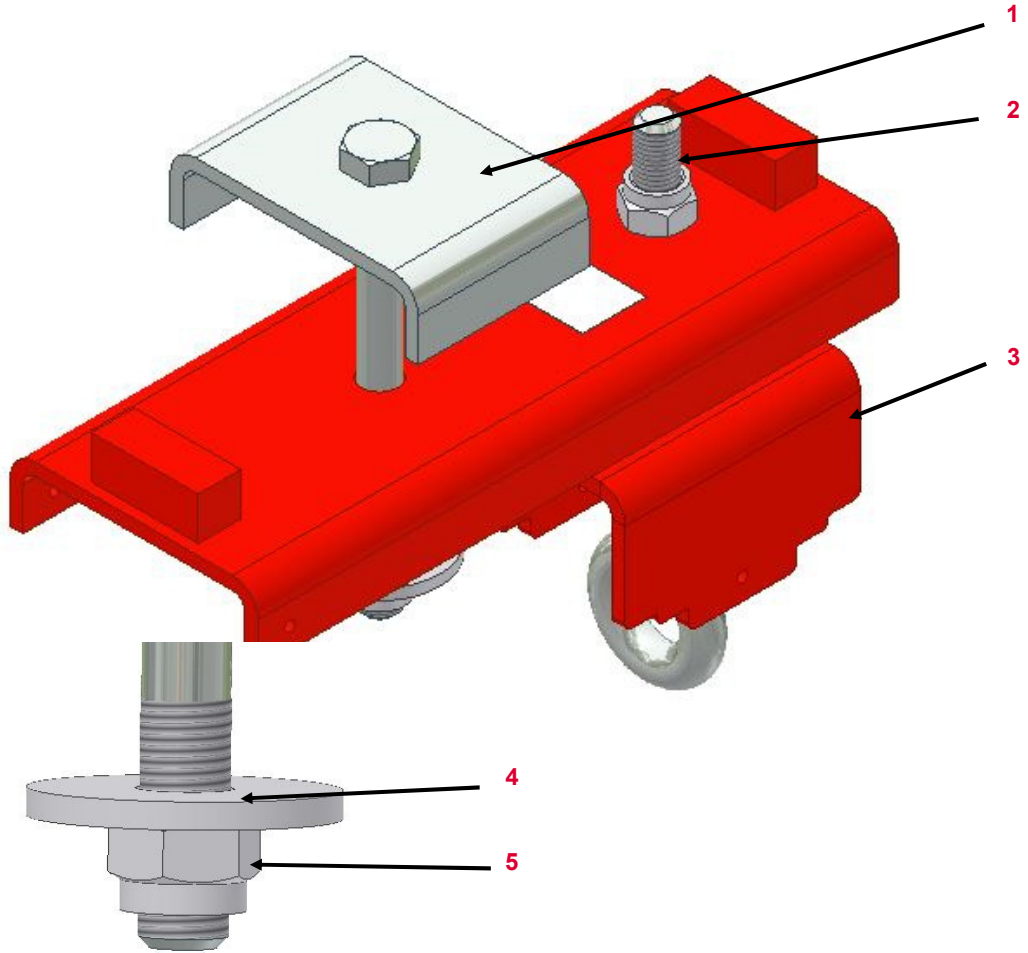


PERI Rental Criteria

RCS Rail Climbing System



Screen Adapter Combi (117165)	No.	Name	Article number
-------------------------------	-----	------	----------------



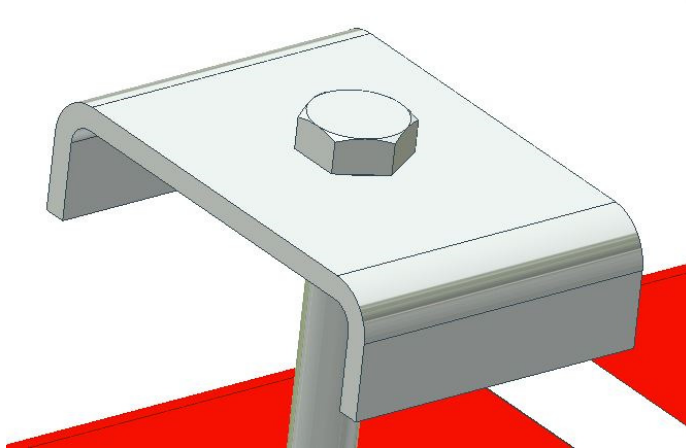
1	Mesh Panel Clamp	117158
2	Ring Bolt	126003
3	Distance Anti Slide	128669
4	Washer	113349
5	Nut	070890

PERI Rental Criteria

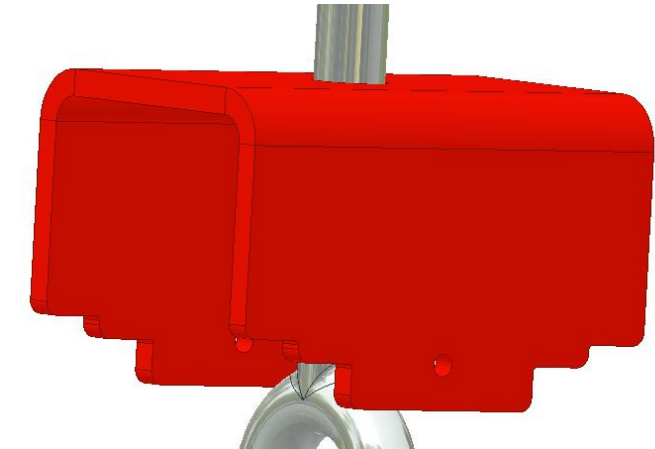
RCS Rail Climbing System



Screen Adapter Combi LPS 60 (117165)	Description	Instruction	Billing Condition	Type
--------------------------------------	-------------	-------------	-------------------	------



13.40.52 Mesh Panel Clamp bent



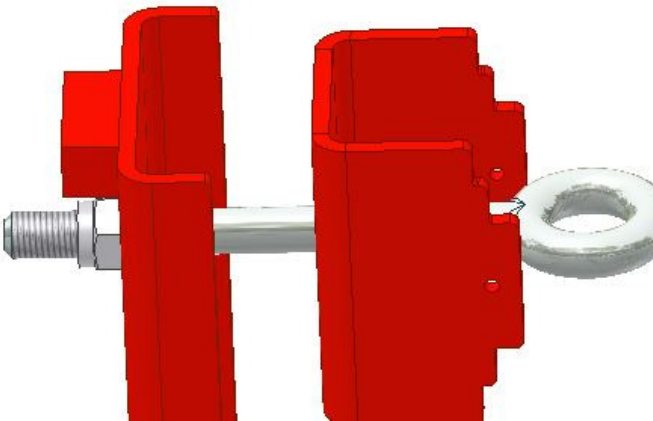



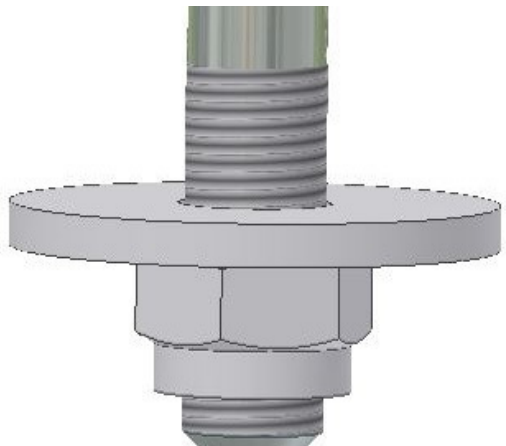






13.40.53 Anti Slide Distance bent



PERI Rental Criteria

RCS Rail Climbing System



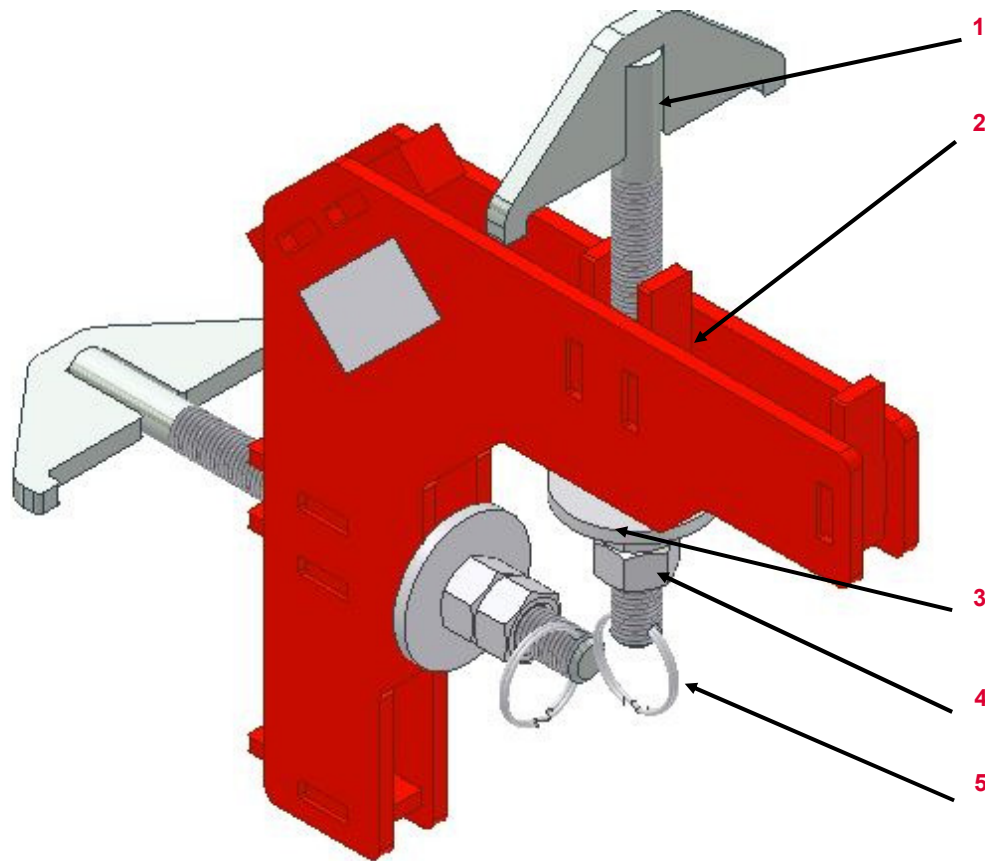
Screen Adapter Combi LPS 60	Description	Instruction	Billing Condition	Type
	<p>13.40.54 Ring Bolt damaged</p>			
	<p>13.40.55 Bolt Washer</p> <ul style="list-style-type: none"> ■ Missing ■ Or damaged due to force 	 	 	 

PERI Rental Criteria

RCS Rail Climbing System



Screen Adapter Corner LPS (117535)



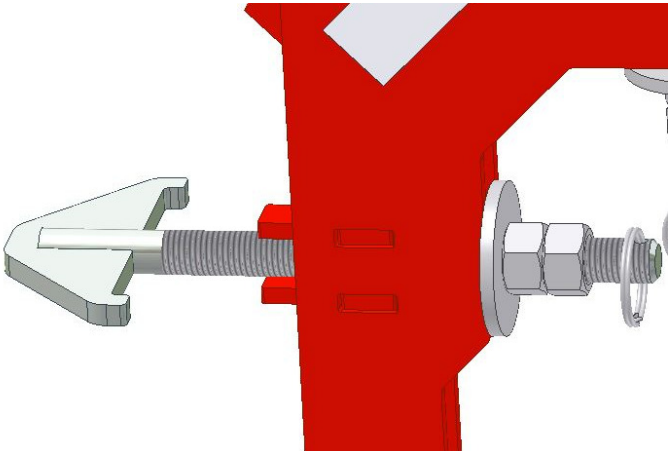
No.	Name	Article number
1	Screen Anchor Plate	124222
2	Screen Adapter Plate	
3	Washer	113349
4	Nut M 16	710229
5	Ring For Chain	710929

PERI Rental Criteria

RCS Rail Climbing System

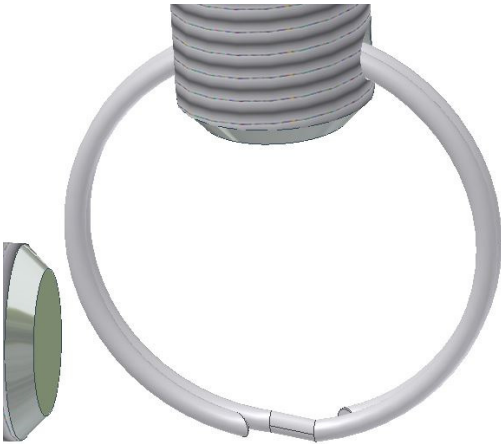


Screen Adapter Corner LPS (117535)	Description	Instruction	Billing Condition	Type
------------------------------------	-------------	-------------	-------------------	------



13.40.56 Screen Anchor Plate

- Missing
- Or damaged due to force



13.40.57 Ring For Chain

- Missing
- Or damaged due to force

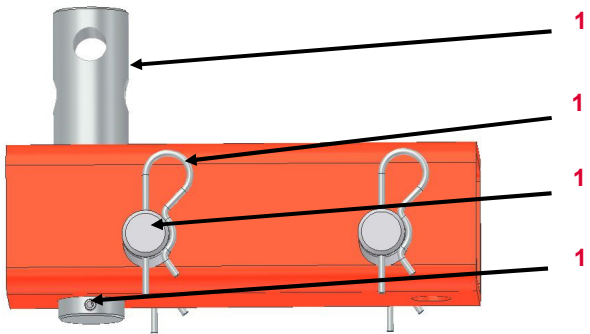


PERI Rental Criteria

RCS Rail Climbing System



Brace Connector RCS DW15/ M20 (123534)	No.	Name	Article number
--	-----	------	----------------



1	Pin Turnable	123532
2	Cotter Pin 4/1	018060
3	Pin Ø 25x180	710894
4	Dowel Pin 6,0x45	722579

Damage	Description	Instruction	Billing Condition	Type
--------	-------------	-------------	-------------------	------



13.40.58 Tube bent



13.40.59 Pin or Cotter Pin missing



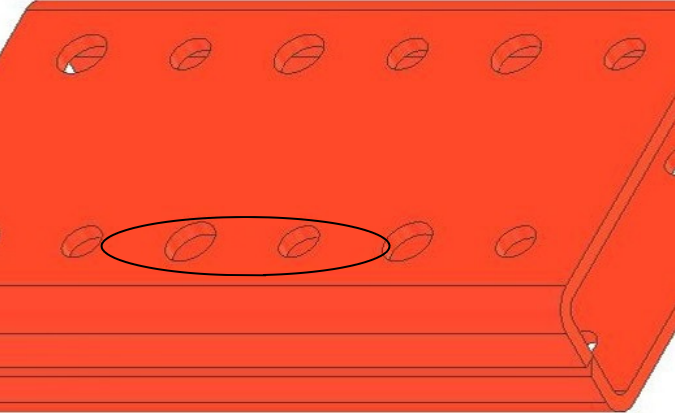






PERI Rental Criteria

RCS Rail Climbing System



Connector RCS 40; 73 (111833; 113744)	Description	Instruction	Billing Condition	Type
---------------------------------------	-------------	-------------	-------------------	------

	<p>13.40.60 Bent</p>			
---	-----------------------------	---	---	---

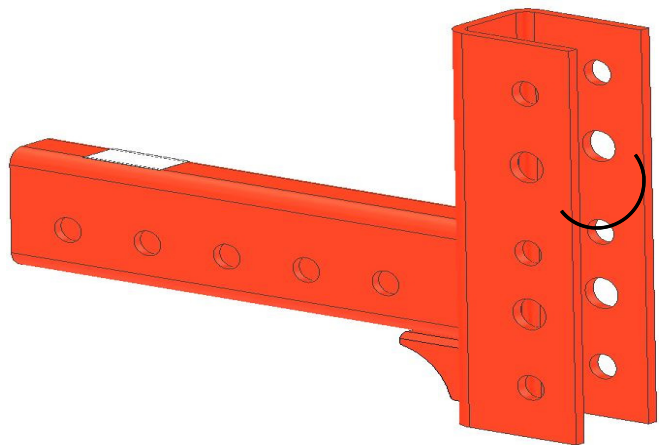
	<p>13.40.61 Holes worn</p> <ul style="list-style-type: none"> ■ Original geometry given ■ Or if not given 	<ul style="list-style-type: none">   	<ul style="list-style-type: none">   	<ul style="list-style-type: none">  
---	--	--	--	--

PERI Rental Criteria

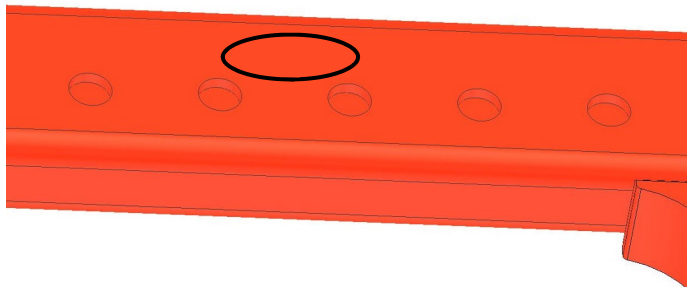
RCS Rail Climbing System



Angle Connector RCS/SRU (111283)	Description	Instruction	Billing Condition	Type
----------------------------------	-------------	-------------	-------------------	------



13.40.62 Bent



13.40.63 Dent in tube

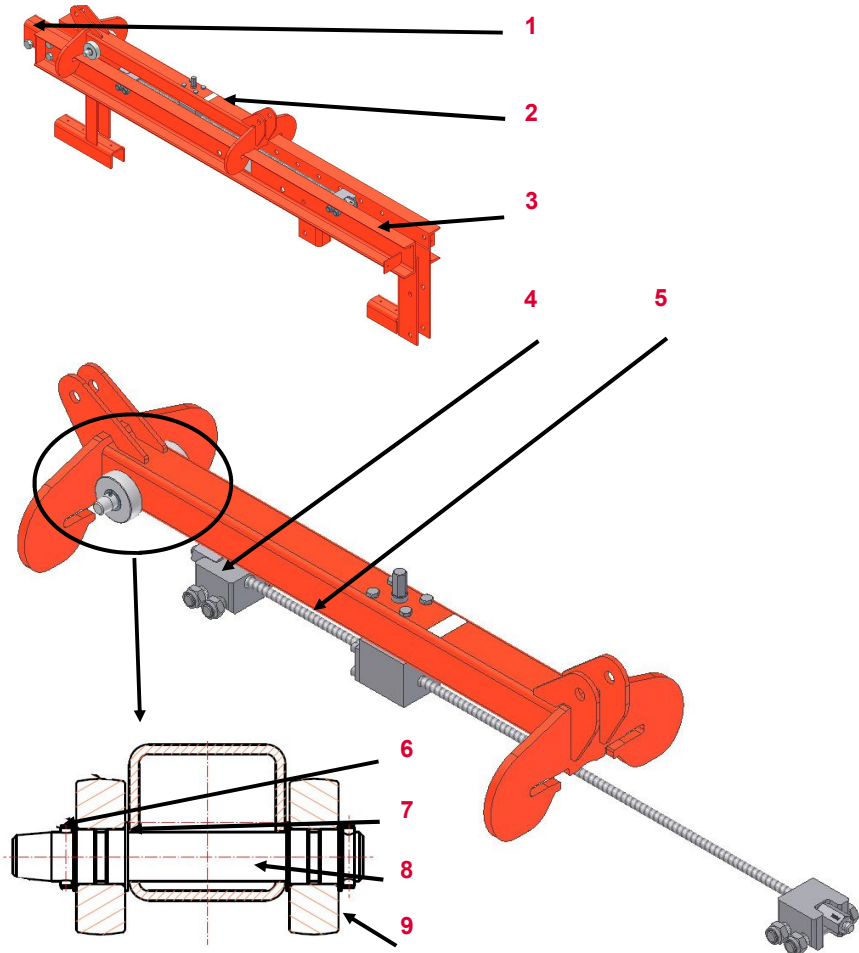


PERI Rental Criteria

RCS Rail Climbing System



Crossbeam Unit RCS 220 VARIO (118094)	No.	Name	Article number
---------------------------------------	-----	------	----------------





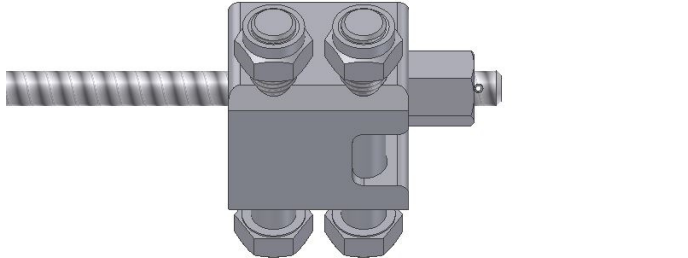












1	Crossbeam Head RCS/VARIO	110015
2	Carriage RCS	109968
3	Crossbeam RCS 220	109716
4	Block DW15	109945
5	Betomax DW 15	109951
6	Dowe Pin 6x32	780802
7	DU- Sleeve	111410
8	Pin 25x180	710894
9	Role	111406

PERI Rental Criteria

RCS Rail Climbing System



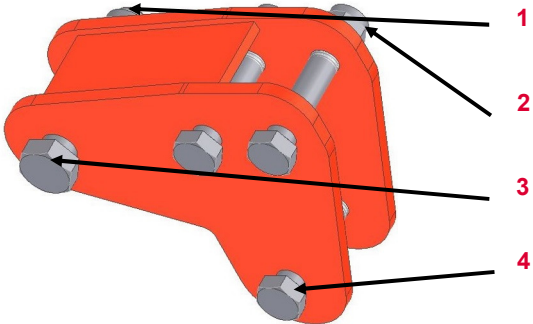
Crossbeam Unit	Description	Instruction	Billing Condition	Type
	<p>13.40.64 Betomax bent</p>	<p> 109951</p>	<p></p>	<p></p>
	<p>13.40.65 Block damaged</p>	<p> 109945 (Block DW 15)</p>	<p></p>	<p></p>
	<p>13.40.66 U Profiles bent</p> <ul style="list-style-type: none"> ■ Without damage of the welding ■ Or welding damaged 	<p> </p>	<p> </p>	<p> </p>

PERI Rental Criteria

RCS Rail Climbing System

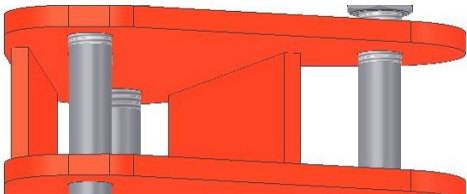


Crossbeam Head RCS/TRIO (110285)	No.	Name	Article number
----------------------------------	-----	------	----------------



1	Nut M24-8	105032
2	Nut M20-8	781053
3	Bolt M24x130	109612
4	Bolt M20	104477

Damage	Description	Instruction	Billing Condition	Type
--------	-------------	-------------	-------------------	------



13.40.67 Bent

- If possible
- Or if not possible

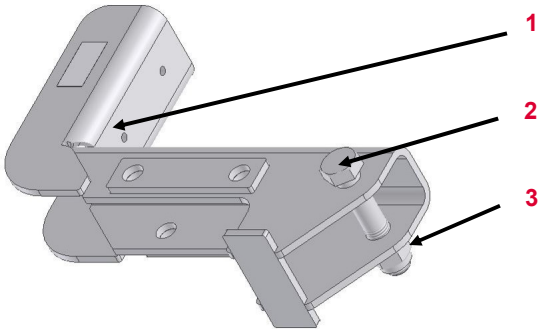


PERI Rental Criteria

RCS Rail Climbing System

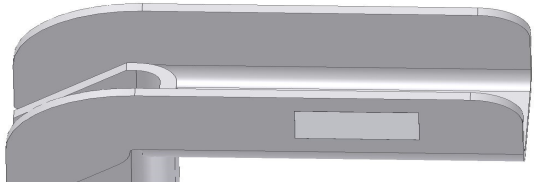


Platform Beam Support RCS (116477)	No.	Name	Article number
------------------------------------	-----	------	----------------



1	Profile	
2	Bolt M 24x130	116477
3	Nut M24-8	105032

Damage	Description	Instruction	Billing Condition	Type
--------	-------------	-------------	-------------------	------



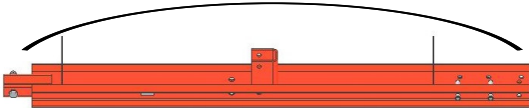



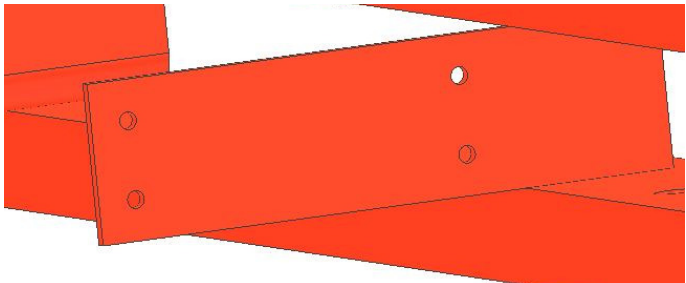






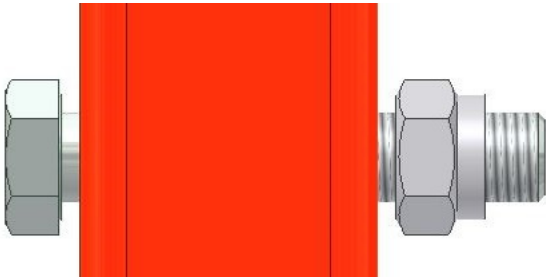






13.40.68 Profile bent



PERI Rental Criteria

RCS Rail Climbing System



Intermediate Platform Beam RCS 241 (109717)	Description	Instruction	Billing Condition	Type
	<p>13.40.69 Beam bent</p> <ul style="list-style-type: none"> ■ > 5 mm 			
	<p>13.40.70 Plaid</p> <ul style="list-style-type: none"> ■ Bent ■ Or broken 	<ul style="list-style-type: none">   	<ul style="list-style-type: none">   	<ul style="list-style-type: none">  
	<p>13.40.71 Pin Cotter Pin Bolts</p> <ul style="list-style-type: none"> ■ Missing ■ Or damaged due to force 	<ul style="list-style-type: none">   	<ul style="list-style-type: none">   	<ul style="list-style-type: none">  

PERI Rental Criteria

RCS Rail Climbing System



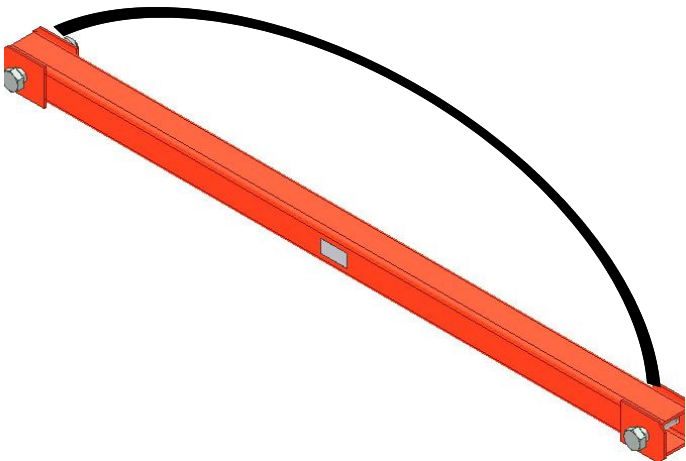
Finishing Platform Beam RCS 122 (109722)	Description	Instruction	Billing Condition	Type
	13.40.72 Connection Plaids			
	■ Bent			
	■ Or broken			
	13.40.73 Plaids			
	■ Bent			
	■ Or broken			
	13.40.74 Tube dent			
	■ ≤ 5 mm			
	■ Or > 5 mm			
	■ Or edges affected			

PERI Rental Criteria

RCS Rail Climbing System

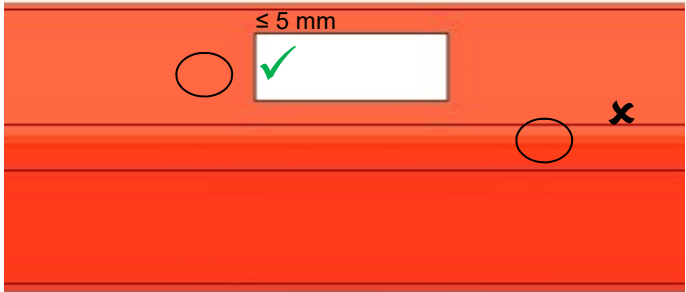


Diagonal Strut RCS 142; 212 (109718;110012)	Description	Instruction	Billing Condition	Type
---	-------------	-------------	-------------------	------



13.40.75 Bent

- > 5 mm



13.40.76 Dent in Tube

- ≤ 5 mm



- Or > 5 mm



- Or edges affected

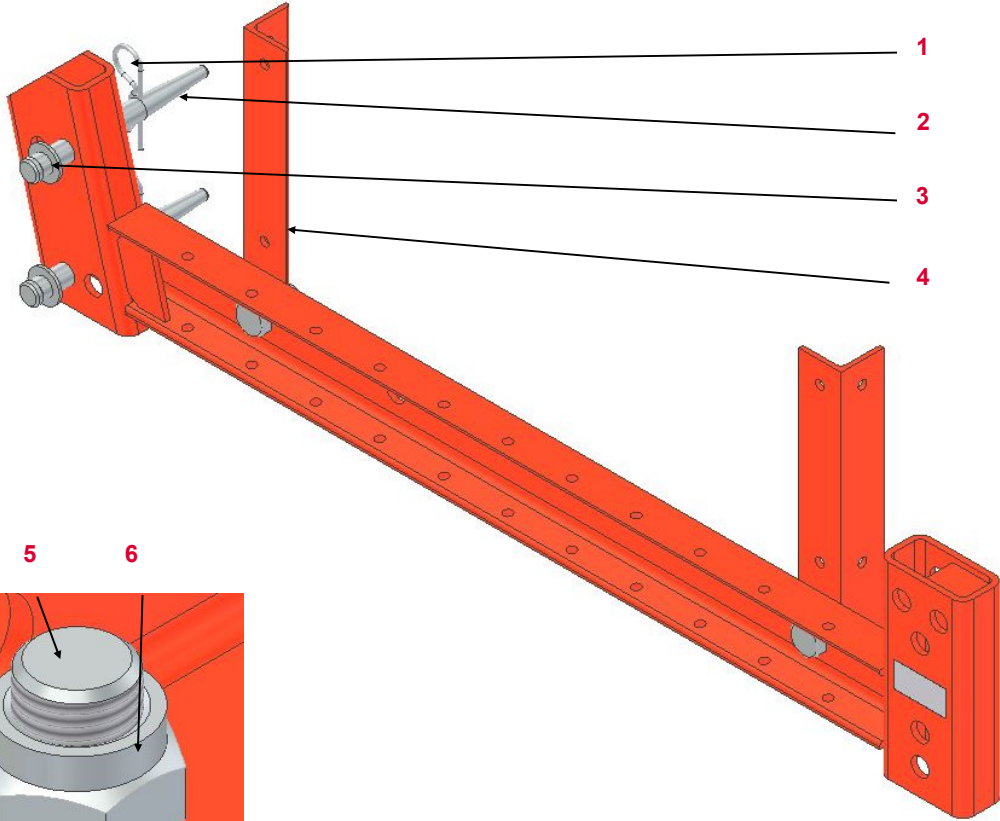


PERI Rental Criteria

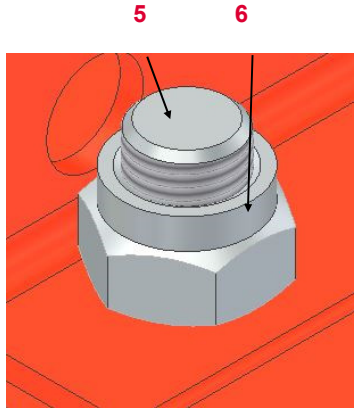
RCS Rail Climbing System



Platform Beam RCS/ SRU 113	No.	Name	Article number
----------------------------	-----	------	----------------



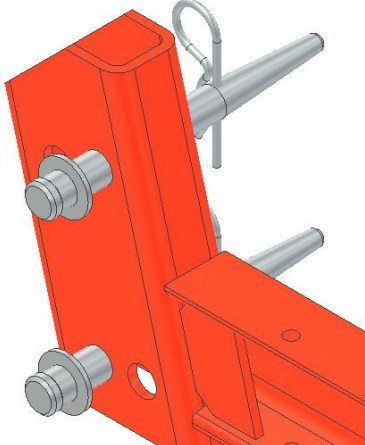






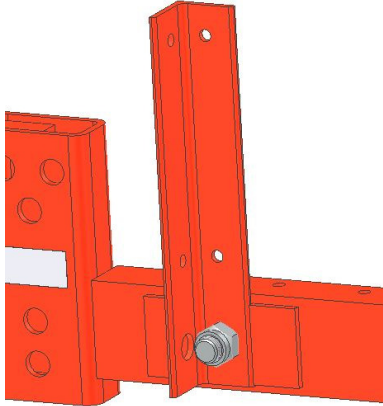









1	Cotter Pin 5/1	022230
2	Pin 21 x 120	104031
3	Washer M 20	406458
4	Beam Connector	114326
5	Bolt M 20 x 40	706458
6	Nut M 20	781053



PERI Rental Criteria

RCS Rail Climbing System



Platform Beam RCS/ SRU	Description	Instruction	Billing Condition	Type
	<p>13.40.77 Bolts Pins Cotter Pins Washer Nut</p> <ul style="list-style-type: none"> ■ Missing ■ Or damaged due to force 	<ul style="list-style-type: none">   	<ul style="list-style-type: none">   	<ul style="list-style-type: none">  
	<p>13.40.78 Beam Connector</p> <ul style="list-style-type: none"> ■ Bent ■ Or missing ■ Or damaged due to force 	<ul style="list-style-type: none">    	<ul style="list-style-type: none">    	<ul style="list-style-type: none">   

PERI Rental Criteria

RCS Rail Climbing System

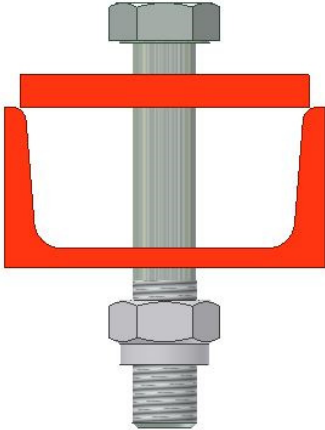

















Guardrail Post 184 226 (114328; 109720)	Description	Instruction	Billing Condition	Type
	13.40.79 Bent			
	<ul style="list-style-type: none"> ■ > 5 mm (l/350) 			
	13.40.80 Bolt Nut	<ul style="list-style-type: none"> ■ Missing 		
	<ul style="list-style-type: none"> ■ Or damaged due to force 	<ul style="list-style-type: none"> 114727 (RCS 184) 104477 (RCS 226) 781053 (Nut M 20) 		

PERI Rental Criteria

RCS Rail Climbing System









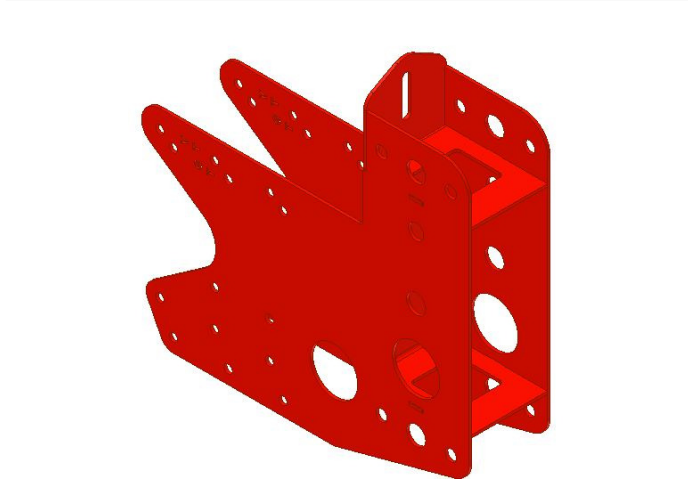






Guardrail Post RCS 384; 509 (109721; 109773)	Description	Instruction	Billing Condition	Type
	<p>13.40.81 Bolts Nuts</p> <ul style="list-style-type: none"> ■ Missing ■ Or damaged due to force 	<p>   </p>	<p>   </p>	<p>   </p>
	<p>13.40.82 Bent</p> <ul style="list-style-type: none"> ■ > 7 mm (RCS 384) ■ Or > 10 mm (RCS 509) 	<p>     </p>	<p>   </p>	<p>   </p>

PERI Rental Criteria

RCS Rail Climbing System



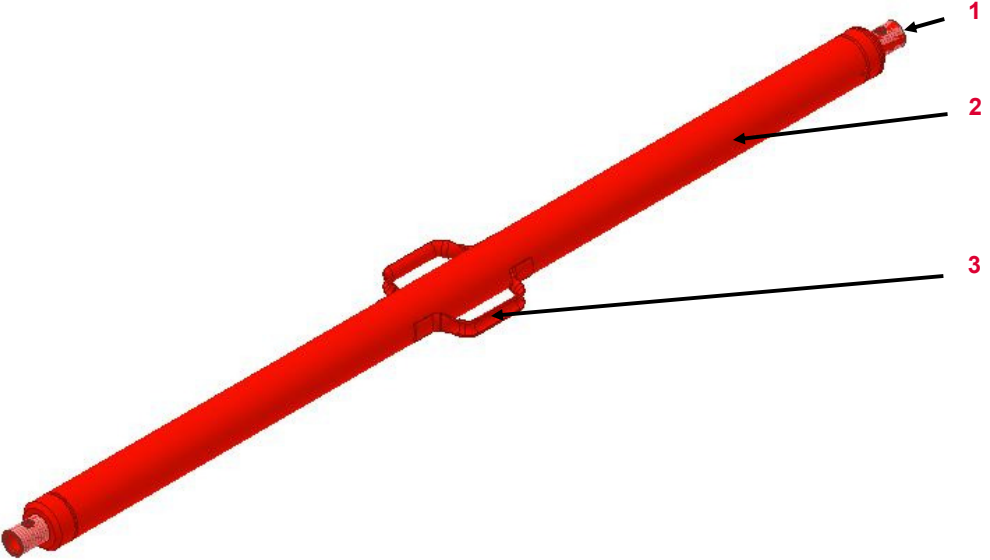
Guardrail Post Holder Multi (126088)	Description	Instruction	Billing Condition	Type
	<p>13.40.83 Bent</p> <ul style="list-style-type: none"> ■ If possible ■ Or if not possible 	<p>If possible: </p> <p>Or if not possible:  </p>	<p>If possible: </p> <p>Or if not possible: </p>	<p>If possible: </p> <p>Or if not possible: </p>
	<p>13.40.84 Cracks in welding</p>	<p> </p>	<p></p>	<p></p>

PERI Rental Criteria

RCS Rail Climbing System



Heavy Duty Spindle SLS	No.	Name	Article number
------------------------	-----	------	----------------



- 1 Spindle Unit
- 2 Outer tube
- 3 Handle

Valid for	Article number
Heavy Duty Spindle SLS 40/80	111035
Heavy Duty Spindle SLS 80/140	101773
Heavy Duty Spindle SLS 100/180	101774
Heavy Duty Spindle SLS 140/240	101776
Heavy Duty Spindle SLS 200/300	101778
Heavy Duty Spindle SLS 260/360	101779
Heavy Duty Spindle SLS 320/420	109726
Heavy Duty Spindle SLS 380/480	109785

PERI Rental Criteria

RCS Rail Climbing System



Heavy Duty Spindle SLS	Description	Instruction	Billing Condition	Type
------------------------	-------------	-------------	-------------------	------



13.40.85 Spindle Unit dirty

- If possible



Lubricate afterwards (727158 / Chem. Trend)



- Or if not possible



13.40.86 Spindle Unit bent

- If not moveable anymore



PERI Rental Criteria

RCS Rail Climbing System



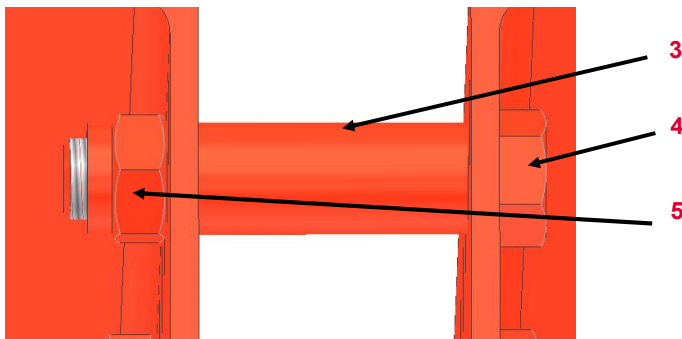
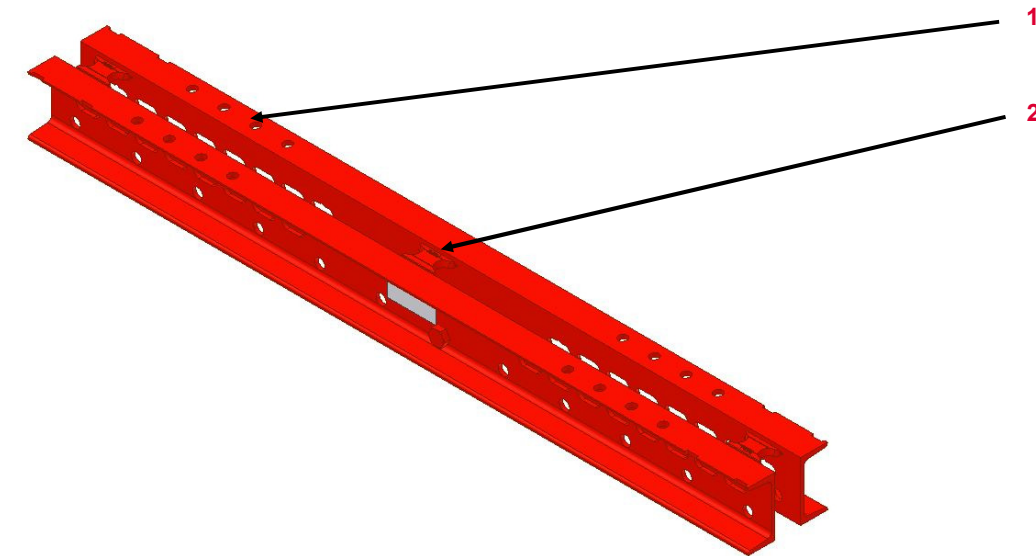
Heavy Duty Spindle SLS	Description	Instruction	Billing Condition	Type
	13.40.87 Outer tube	<ul style="list-style-type: none"> ■ Bent > 5 mm 		
	<ul style="list-style-type: none"> ■ Or buckled 			
	13.40.88 Handle	<ul style="list-style-type: none"> ■ Bent 		
	<ul style="list-style-type: none"> ■ Or missing 			

PERI Rental Criteria

RCS Rail Climbing System



Steel Waler SRU



No.	Name	Article number
1	U- Profile	
2	Distance Piece	103815
3	Spacer	108768
4	Bolt	710226
5	Nut	781053
Valid for		Article number
Steel Waler Universal SRU 120, L= 0,72 m		103686
Steel Waler Universal SRU 120, L= 0,97 m		103871
Steel Waler Universal SRU 120, L= 1,22 m		103874
Steel Waler Universal SRU 120, L= 1,47 m		103877
Steel Waler Universal SRU 120, L= 1,72 m		103886
Steel Waler Universal SRU 120, L= 1,97 m		103889
Steel Waler Universal SRU 120, L= 2,22 m		103898
Steel Waler Universal SRU 120, L= 2,47 m		103892
Steel Waler Universal SRU 120, L= 2,97 m		103903
Steel Waler Universal SRU 120, L= 3,47 m		103906
Steel Waler Universal SRU 120, L= 3,97 m		103915
Steel Waler Universal SRU 120, L= 4,47 m		103918
Steel Waler Universal SRU 120, L= 4,97 m		103922
Steel Waler Universal SRU 120, L= 5,47 m		103925
Steel Waler Universal SRU 120, L= 5,97 m		103928

PERI Rental Criteria

RCS Rail Climbing System



Steel Waler SRU	Description	Instruction	Billing Condition	Type
-----------------	-------------	-------------	-------------------	------



13.40.89 Distance Piece cut or missing



13.40.90 Distance between the profiles out of tolerance

- If possible















- Or if not possible



PERI Rental Criteria

RCS Rail Climbing System
























Steel Waler SRU	Description	Instruction	Billing Condition	Type
	<p>13.40.91 Shortened</p>			
	<p>13.40.92 Cut in</p>			
	<p>13.40.93 Drill holes</p>			

PERI Rental Criteria

RCS Rail Climbing System



Steel Waler SRU	Description	Instruction	Billing Condition	Type
	13.40.94 End of profile grinded	<ul style="list-style-type: none"> <li data-bbox="875 568 1144 600">■ If original length given  		
	<ul style="list-style-type: none"> <li data-bbox="875 711 1055 743">■ Or if not given 			
	13.40.95 End of profile bent	<ul style="list-style-type: none"> <li data-bbox="875 911 1010 943">■ If possible  		
	<ul style="list-style-type: none"> <li data-bbox="875 1054 1077 1086">■ Or if not possible 			
	13.40.96 Dent in profile	<ul style="list-style-type: none"> <li data-bbox="875 1262 1010 1294">■ If possible  		
	<ul style="list-style-type: none"> <li data-bbox="875 1406 1077 1437">■ Or if not possible 			

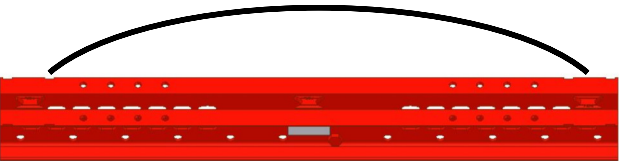
PERI Rental Criteria

RCS Rail Climbing System



Steel Waler SRU	Description	Instruction	Billing Condition	Type
-----------------	-------------	-------------	-------------------	------

Strong axis



13.40.97 Bent

■ ≤ permitted bent

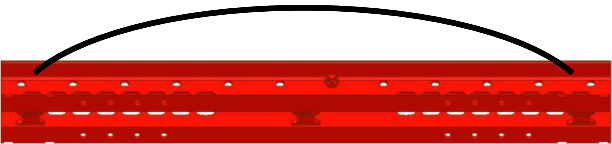


■ Or > permitted bent



Article	Perm. Bent strong axis	Perm. Bent weak axis
SRU 72– 97	2,5 mm	4,0 mm
SRU 122– 247	3,0 mm	5,0 mm
SRU 272– 397	4,0 mm	6,0 mm
SRU 447– 597	4,0 mm	7,0 mm

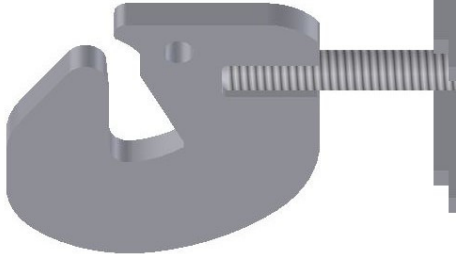






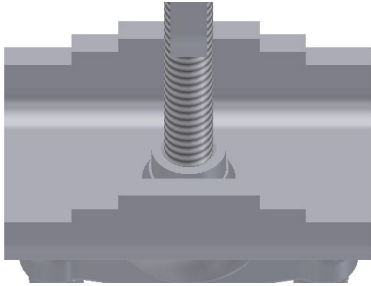



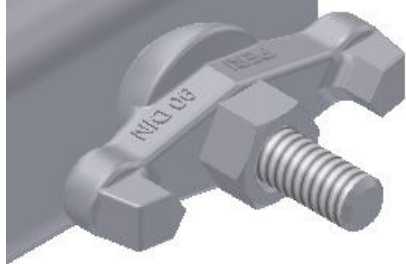



Weak axis



PERI Rental Criteria

RCS Rail Climbing System

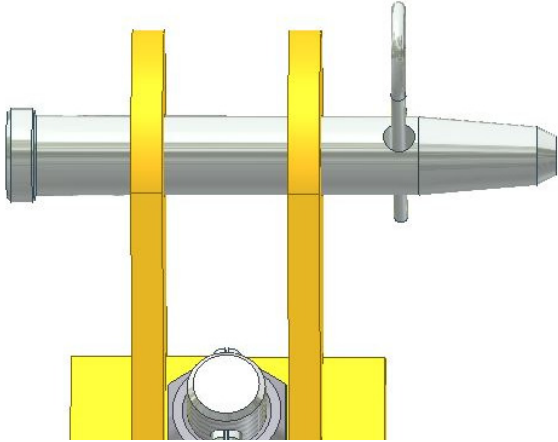






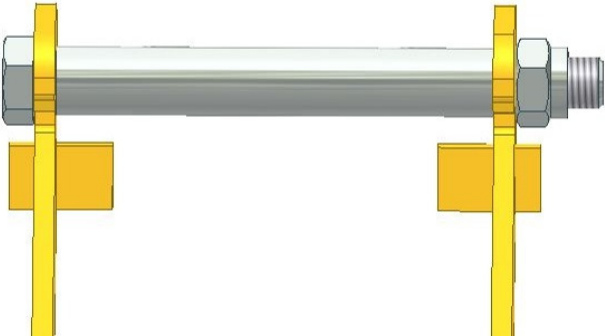






Waler Fixation U100—U 120 (110059)	Description	Instruction	Billing Condition	Type
	<p>13.40.98 Bent</p> <ul style="list-style-type: none"> ■ If possible ■ Or if not possible 	<p>   </p>	<p>   </p>	<p>   </p>
	<p>13.40.99 Bracket bent</p>	<p>  110055 </p>	<p>  </p>	<p>  </p>
	<p>13.40.100 Spherical Nut</p> <ul style="list-style-type: none"> ■ Broken 	<p>  118260 </p>	<p>  </p>	<p>  </p>

PERI Rental Criteria

RCS Rail Climbing System



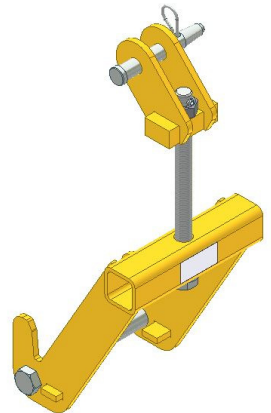
Adjusting Unit SRU, External (110400)	Description	Instruction	Billing Condition	Type
	<p>13.40.101 Pin Cotter Pin</p> <ul style="list-style-type: none"> ■ Missing ■ Or damaged due to force 	<ul style="list-style-type: none">  105400 (Pin) 018060 (Cotter Pin)  105400 (Pin) 018060 (Cotter Pin) 	<ul style="list-style-type: none">   	<ul style="list-style-type: none">  
		<p>13.40.102 Bolts Nuts Sleeves</p> <ul style="list-style-type: none"> ■ Missing ■ Or damaged due to force 	<ul style="list-style-type: none">  110383 (Sleeve) 110651 (Bolt) 781053 (Nut M 20)  110383 (Sleeve) 110651 (Bolt) 781053 (Nut M 20) 	<ul style="list-style-type: none">  

PERI Rental Criteria

RCS Rail Climbing System

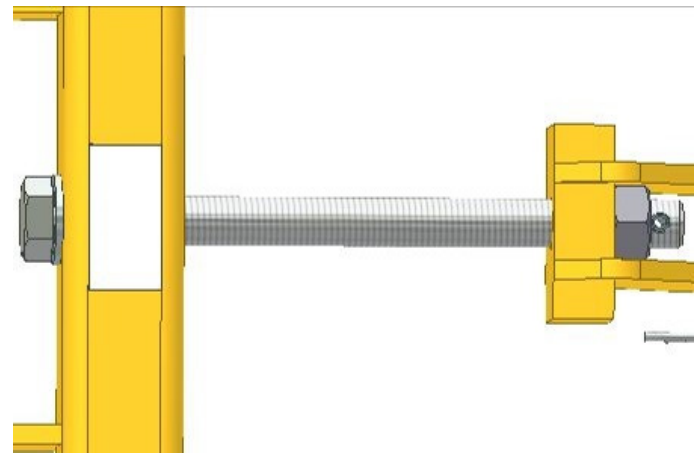


Adjusting Unit SRU, External (110400)	Description	Instruction	Billing Condition	Type
---------------------------------------	-------------	-------------	-------------------	------



13.40.103 Bent

- If possible
- Or if not possible



13.40.104 Spindle

- Soiled
- Or bent
- Or if not possible



Lubricate afterwards (727766)

- 110637 (Spindle)
- 128304 (Nut)
- 706454 (Washer)
- 780807 (Dowel Pin)

- 110637 (Spindle)
- 128304 (Nut)
- 706454 (Washer)
- 780807 (Dowel Pin)

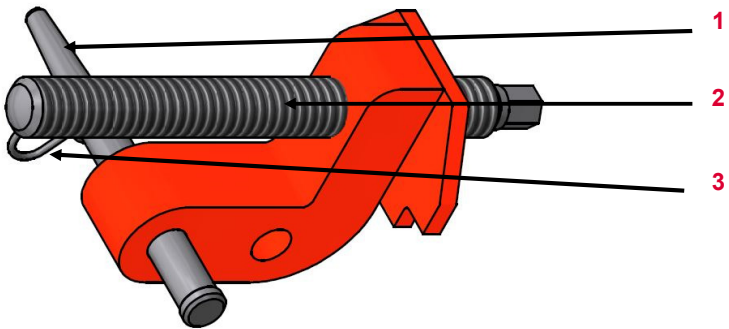


PERI Rental Criteria

RCS Rail Climbing System

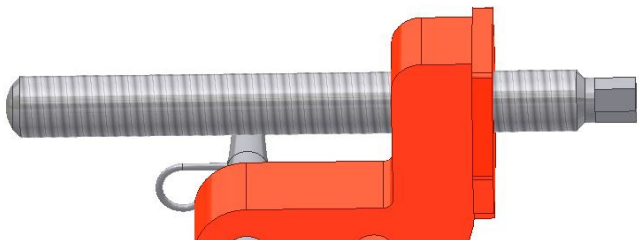


Adjusting Unit SRU, Internal (111135)	No.	Name	Article number
---------------------------------------	-----	------	----------------

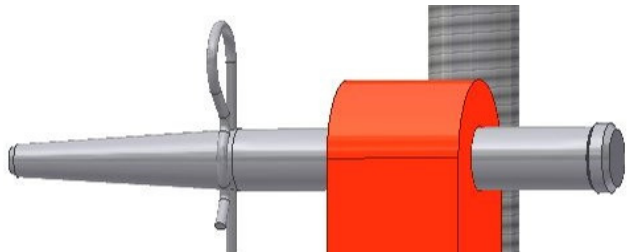


1	Pin	104031
2	Spindle	111132
3	Cotter Pin 4/1	018060

Damage	Description	Instruction	Billing Condition	Type
--------	-------------	-------------	-------------------	------



13.40.105 Spindle broken



13.40.106 Pin | Cotter Pin

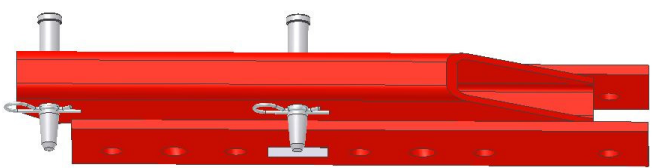






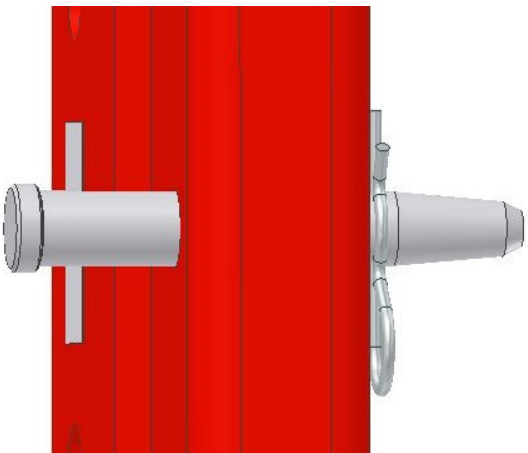




- Missing
- Or damaged due to force



PERI Rental Criteria

RCS Rail Climbing System



Strongback Adapter RCS/SRU (115325)	Description	Instruction	Billing Condition	Type
	<p>13.40.107 Bent</p> <ul style="list-style-type: none"> ■ If possible ■ Or if not possible 	<ul style="list-style-type: none">   	<ul style="list-style-type: none">   	<ul style="list-style-type: none">  
		<p>13.40.108 Pin Cotter Pin</p> <ul style="list-style-type: none"> ■ Missing ■ Or damaged due to force 	<ul style="list-style-type: none">  <p>105400 (Pin) 018060 (Cotter Pin)</p>  <p>105400 (Pin) 018060 (Cotter Pin)</p> 	<ul style="list-style-type: none">  

PERI Rental Criteria

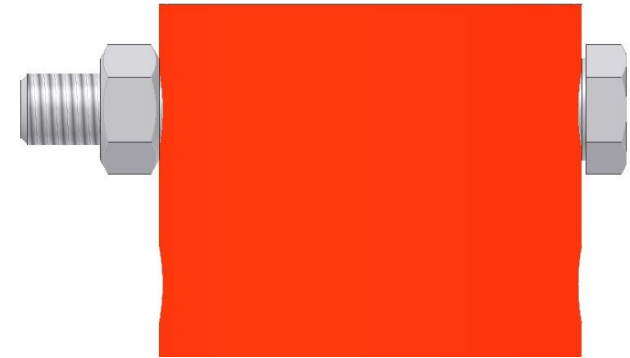
RCS Rail Climbing System



Suspension Tube VARIO 53 (057050)	Description	Instruction	Billing Condition	Type
-----------------------------------	-------------	-------------	-------------------	------

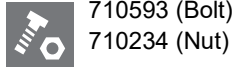


13.40.109 Bent



13.40.110 Bolt | Nut

- Missing
- Or damaged due to force



710593 (Bolt)
710234 (Nut)



710593 (Bolt)
710234 (Nut)

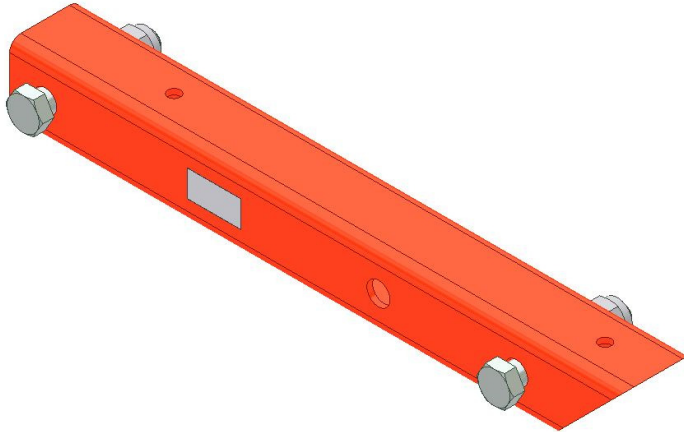


PERI Rental Criteria

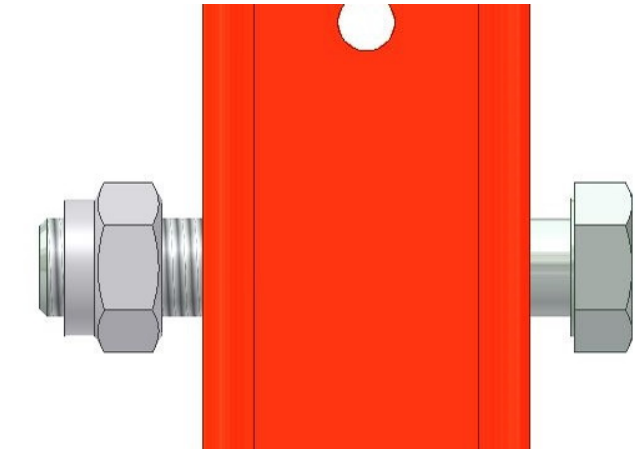
RCS Rail Climbing System



Crossbar RCS 69 ; 103 (111631; 110234)	Description	Instruction	Billing Condition	Type
--	-------------	-------------	-------------------	------



13.40.111 Bent



13.40.112 Bolt | Nut

- Missing
- Or damaged due to force



PERI Rental Criteria

RCS Rail Climbing System








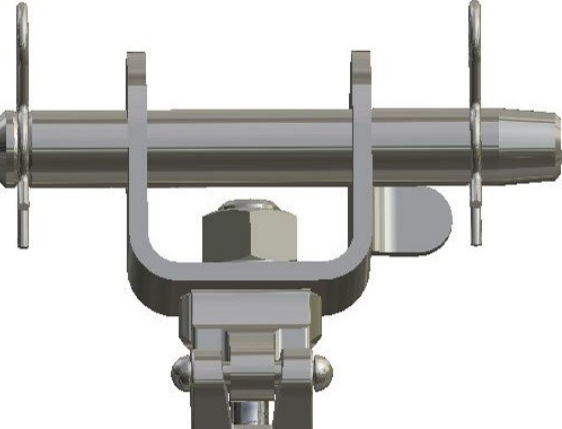





Diagonal Strut RCS 212 (110012)	Description	Instruction	Billing Condition	Type
	13.40.113 Bent			
	<ul style="list-style-type: none"> ■ ≤ 4 mm (l/500) ■ Or > 4 mm (l/500) 	<ul style="list-style-type: none"> 	<ul style="list-style-type: none"> 	<ul style="list-style-type: none">
	13.40.114 Bolt Nut			
	<ul style="list-style-type: none"> ■ Missing ■ Or damaged due to force 	<ul style="list-style-type: none"> 109612 (Bolt) 105032 (Nut) 109612 (Bolt) 105032 (Nut) 	<ul style="list-style-type: none"> 	<ul style="list-style-type: none">

PERI Rental Criteria

RCS Rail Climbing System



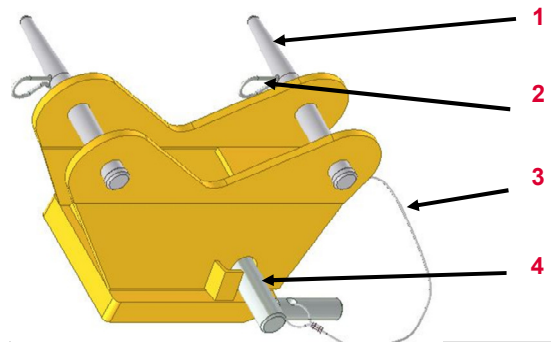
Scaffold Tube Adapter Ø 48 RCS (110084)	Description	Instruction	Billing Condition	Type
	<p>13.40.115 Screw– On Coupler</p> <ul style="list-style-type: none"> ■ Missing ■ Or damaged due to force 	<p>017040 </p> <p>017040 </p>	<p></p> <p></p>	<p></p> <p></p>
	<p>13.40.116 Pin Cotter Pin</p>	<p>710894 (Pin) </p> <p>018060 (Cotter Pin)</p>	<p></p>	<p></p>

PERI Rental Criteria

RCS Rail Climbing System



Mounting Ring Adapter RCS M30 (110315)	No.	Name	Article number
--	-----	------	----------------



1	Pin	104031
2	Cotter Pin 4/1	018060
3	Robe	127303
4	Pin	715585

Damage	Description	Instruction	Billing Condition	Type
--------	-------------	-------------	-------------------	------

	13.40.117 Bolt Cotter Pin Robe <ul style="list-style-type: none"> Missing 			
	<ul style="list-style-type: none"> Or damaged due to force 			

	13.40.118 Bent <ul style="list-style-type: none"> If possible 			
	<ul style="list-style-type: none"> Or if not possible 			

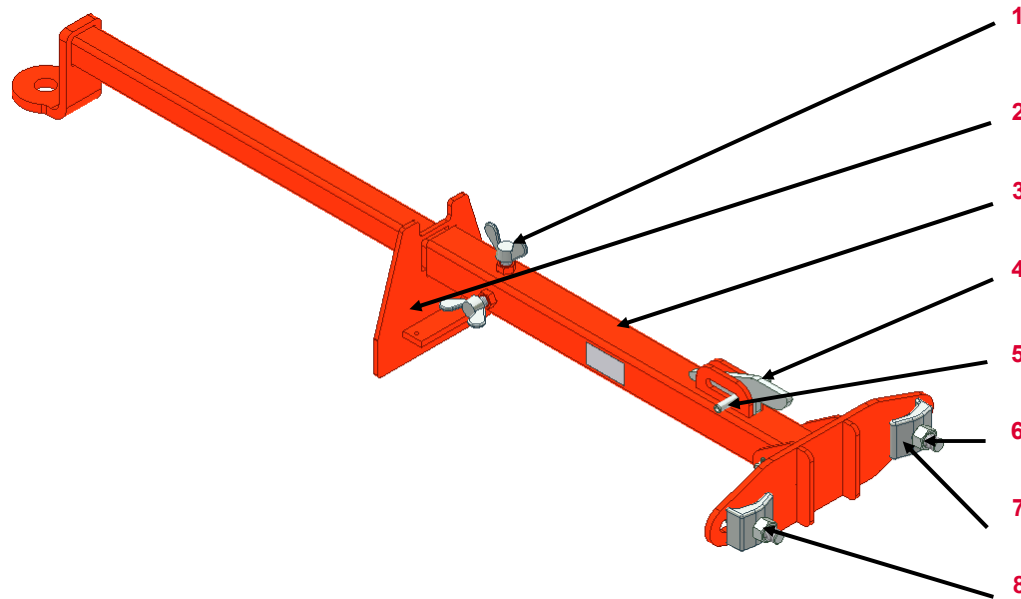
PERI Rental Criteria

RCS Rail Climbing System



Slab Anchor Template (114947)

No.	Name	Article number
-----	------	----------------





















1	Wing Bolt	115112
2	Telescope Stick	114950
3	Telescopic Mounting	114948
4	Safety Latch	115002
5	Dowel Pin 10 x 80	723338
6	Bolt M 16	714093
7	Clamping Plate M 16	112815
8	Nut M 16	710229

PERI Rental Criteria

RCS Rail Climbing System

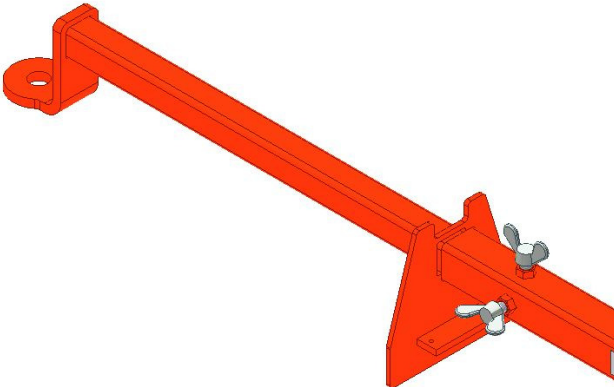



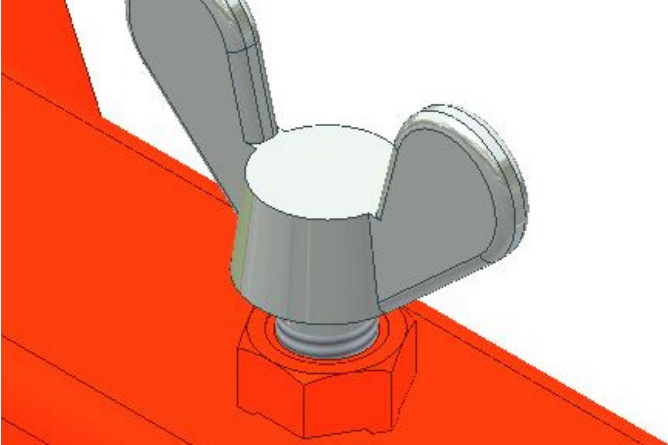








Slab Anchor Template	Description	Instruction	Billing Condition	Type
	13.40.119 Safety Latch	<ul style="list-style-type: none"> ■ Missing  		
	<ul style="list-style-type: none"> ■ Or not moveable 			
	<ul style="list-style-type: none"> ■ Or bent 			
	13.40.120 Clamping Plate	<ul style="list-style-type: none"> ■ Bent  		
	<ul style="list-style-type: none"> ■ Or missing 			
	<ul style="list-style-type: none"> ■ Or cracked 			

PERI Rental Criteria

RCS Rail Climbing System



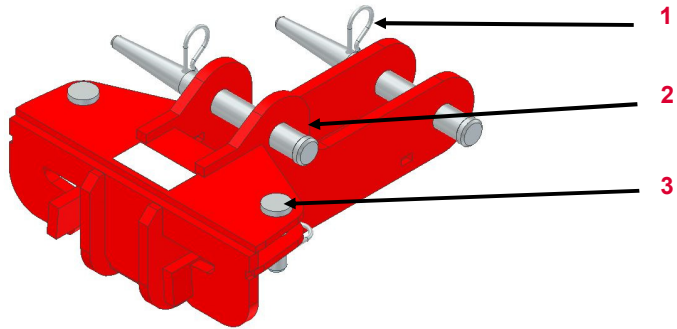
Slab Anchor Template	Description	Instruction	Billing Condition	Type
	13.40.121 Telescope Stick bent			
	<ul style="list-style-type: none"> ■ If possible 			
	13.40.122 Wing Bolt			
	<ul style="list-style-type: none"> ■ Missing 			
<ul style="list-style-type: none"> ■ Or damaged due to force 				

PERI Rental Criteria

RCS Rail Climbing System

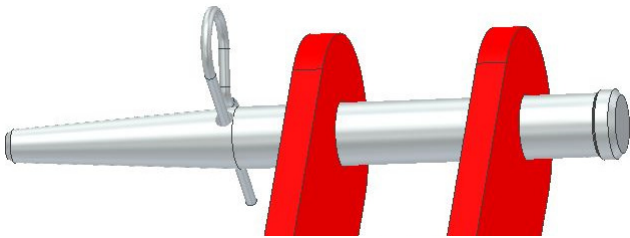


Slab Shoe Adapter RCS/AV/SLS (115918)	No.	Name	Article number
---------------------------------------	-----	------	----------------



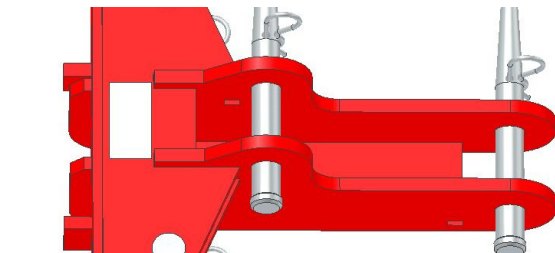
1	Federstecker 4/1	018060
2	Passbolzen 21 x 120	104031
3	Bolzen 16 x 42	027170

Damage	Description	Instruction	Billing Condition	Type
--------	-------------	-------------	-------------------	------



13.40.123 Pin | Cotter Pin

- Missing
- Or damaged due to force



13.40.124 Bent

- If possible
- Or if not possible

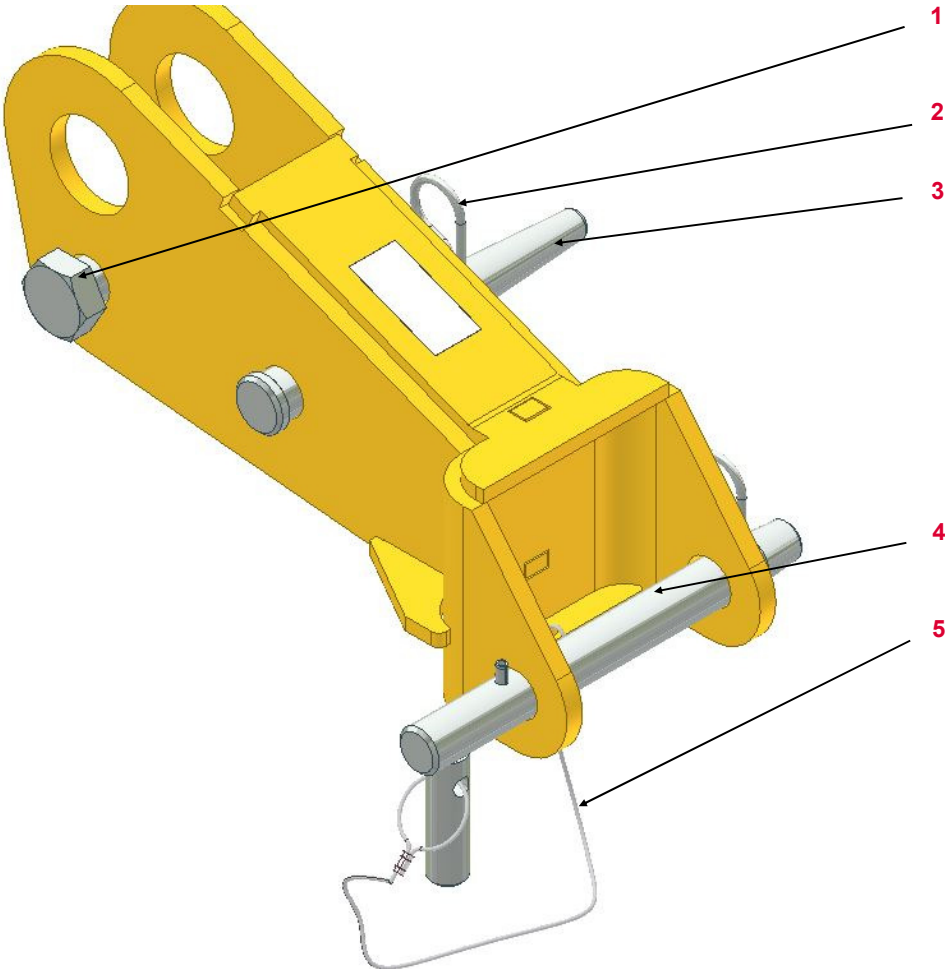


PERI Rental Criteria

RCS Rail Climbing System



Slab Support Adapter (115850)	No.	Name	Article number
-------------------------------	-----	------	----------------

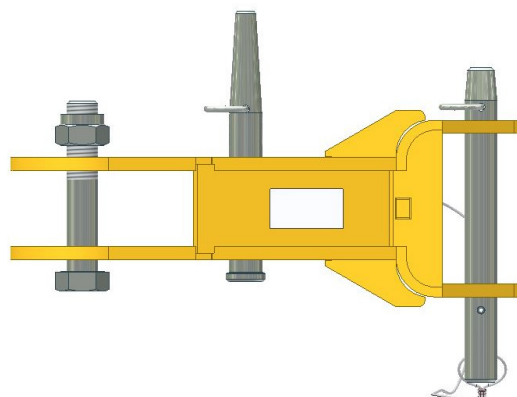






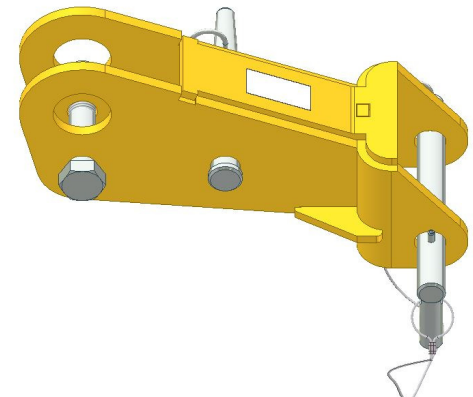






1	Bolt M 24 x 130	109612
2	Cotter Pin 5/1	022230
3	Pin 26 x 120	111567
4	Pin 25 x 240	715585
5	Robe	127303

PERI Rental Criteria

RCS Rail Climbing System



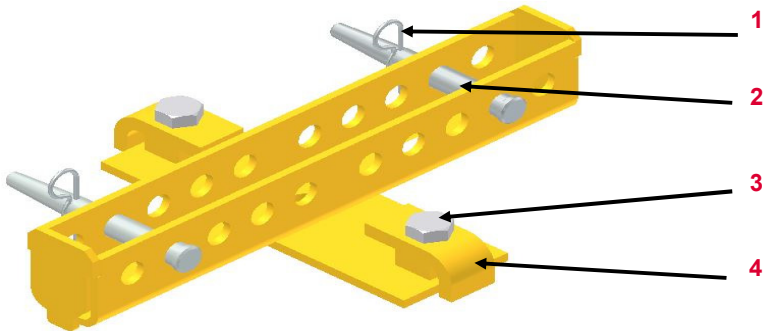
Slab Support Adapter (115850)	Description	Instruction	Billing Condition	Type
	<p>13.40.125 Bolt Nut Pin Cotter Pin</p> <ul style="list-style-type: none"> ■ Missing ■ Or damaged due to force 	<ul style="list-style-type: none">   	<ul style="list-style-type: none">   	<ul style="list-style-type: none">  
		<p>13.40.126 Bent</p> <ul style="list-style-type: none"> ■ If possible ■ Or if not possible 	<ul style="list-style-type: none">   	<ul style="list-style-type: none">  

PERI Rental Criteria

RCS Rail Climbing System

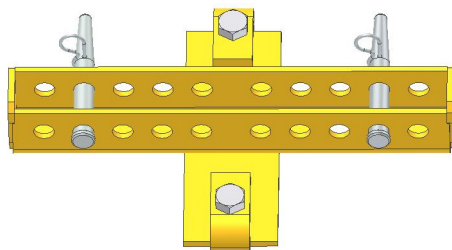


Slab Support Anchor Shoe RCS M 24 (112359)	No.	Name	Article number
--	-----	------	----------------



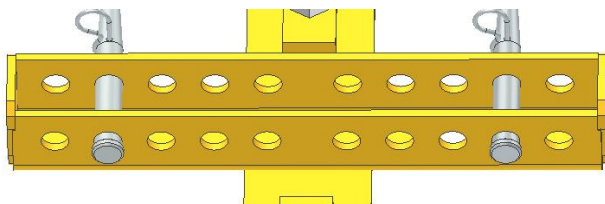
1	Cotter Pin 5/1	022230
2	Pin 26 x 120	112359
3	Bolt M 24 x 50	026290
4	Hold- Down Clamp	112474

Damage	Description	Instruction	Billing Condition	Type
--------	-------------	-------------	-------------------	------



13.40.127 Pin | Cotter Pin | Bolt

- Missing
- Or damaged due to force



13.40.128 Bent



















- If possible
- Or if not possible



PERI Rental Criteria

Glossary Icons



Icon	Significance	Icon	Significance	Icon	Significance
	Not OK – Scrap		Compensation (customer)		Optical damage– it’s permitted to handle out
	OK— Article stays in Rental Park		No compensation		Functional damage– it’s permitted to handle out
	It’s not permitted to handle out the article because of security aspects		Shorten the article		Functional damage– it’s not permitted to handle out
	Repair according to Working Instruction		Mark article		Statically damage– it’s not permitted to handle out
	Fix article cold		Replace defect components		
	Repair after local profitability calculation		Replace missing components		
	Clean the article		Attention voltage		