

PERI Rental Criteria

SB Brace Frame



Contact

PERI GmbH
Formwork Scaffolding
Engineering

P.O. Box 1264
 89264 Weißenhorn; Germany
 Phone +49 (0) 7309.950-0
 Fax +49 (0) 7309.951-0
rental-criteria@peri.de

Content	Page
Brace Frame	2
Connector SB-A, B, C	7
Guide Roller SB-A,B	8
Hook Strap	9
Connector SB-1,2	11
SB-L Anchor Bracket	12
Threaded Anchor Plate Anchor Plate	13
Brace Frame Adapter	14
Wall Scaffolding Hinge	16

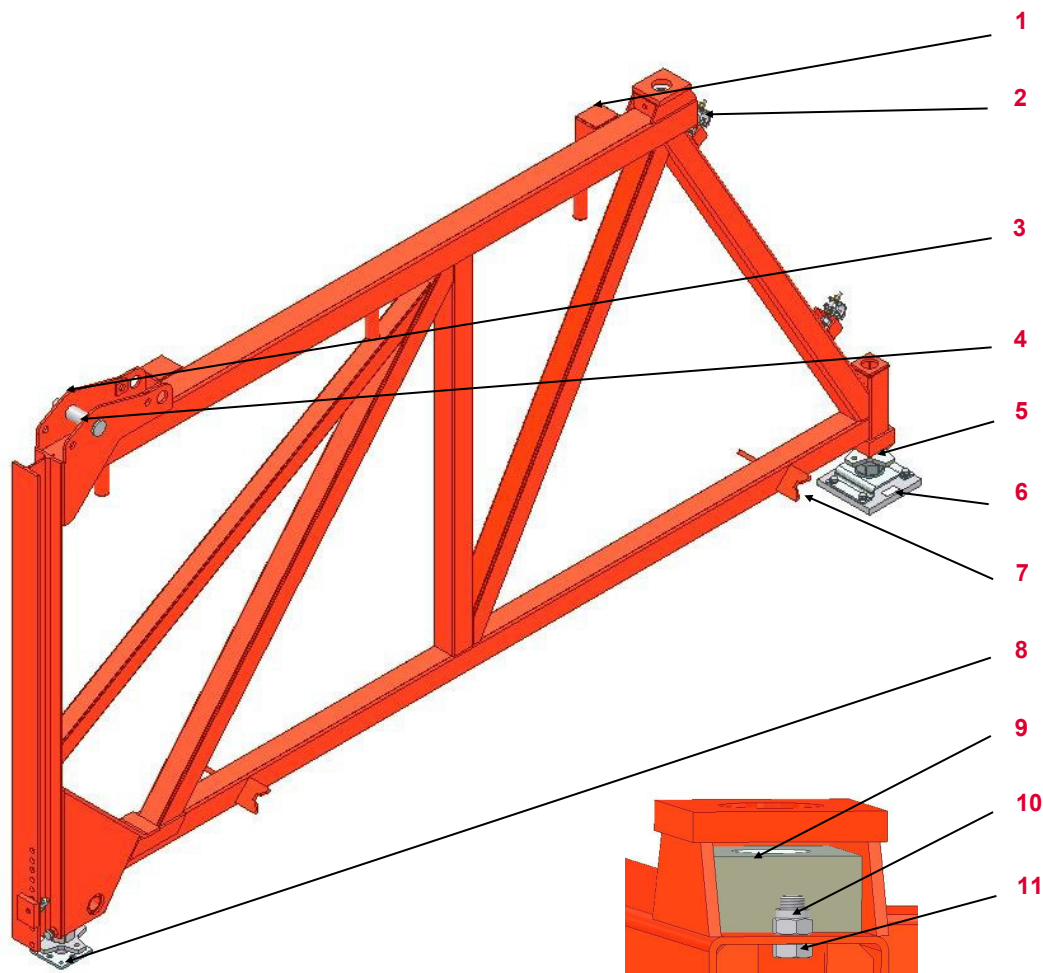
Changes made	Date Initial	Page
New Version	12/2016 fw	

PERI Rental Criteria

SB Brace Frame



Brace Frame	No.	Name	Article number
-------------	-----	------	----------------





















1	Tube	108871
2	Half coupler 48	017040
3	Spring pin 8/1	710618
4	Bolt 50 x 150	710545
5	Adjusting nut	700554
6	Spindle	025730
7	Stacking aid	107291
8	Base for Spindle	700555
9	Thread block	710541
10	Hex. Bolt	070890
11	Hex. Bolt M 16	710231

Valid for	Article number
Brace frame SB-A0	025690
Brace frame SB-A	025700
Brace frame SB-B	025710
Brace frame SB-C	025720
Brace frame SB-1	027500
Brace frame SB-2	027510

PERI Rental Criteria

SB Brace Frame











Brace frame	Description	Instruction	Billing Condition	Type
	12.01 Dent in tube			
	<ul style="list-style-type: none"> ■ ≤ 8 mm and edges not affected 	 		
	<ul style="list-style-type: none"> ■ > 8 mm and edges not affected 	 		
	<ul style="list-style-type: none"> ■ Or edges affected 	 		
	12.02 Tube cut in	 		

PERI Rental Criteria

SB Brace Frame














Brace frame	Description	Instruction	Billing Condition	Type
	12.03 Stacking aid bent			
	12.04 Stacking tube bent kink			

PERI Rental Criteria

SB Brace Frame

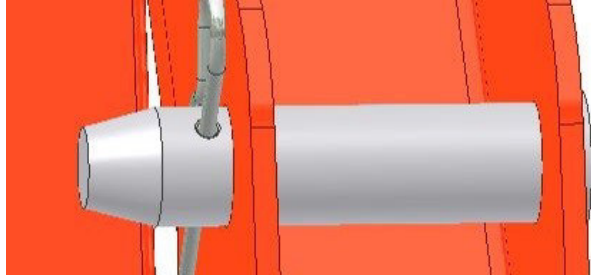






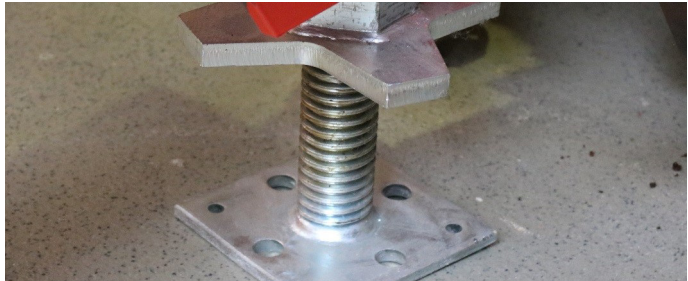






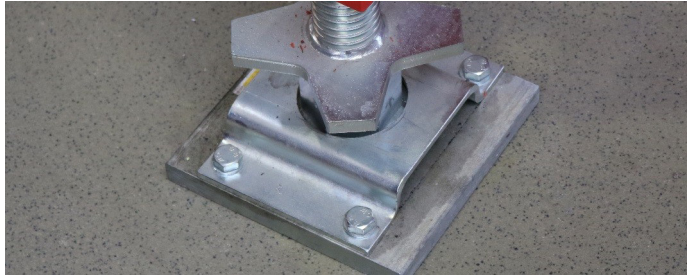








Brace frame	Description	Instruction	Billing Condition	Type
	<p>12.05 Half coupler</p> <ul style="list-style-type: none"> ■ Missing ■ Or damaged by force 	<p>   </p>	<p>  088461  088461 </p>	<p>   </p>
	<p>12.06 Tube for half coupler damaged</p>	<p>  </p>	<p>  088474 </p>	<p>  </p>

PERI Rental Criteria

SB Brace Frame



Brace frame	Description	Instruction	Billing Condition	Type	
	12.07 Bolt spring pin				
	<ul style="list-style-type: none"> ■ Missing 			088462	
	<ul style="list-style-type: none"> ■ Or damaged by force 			088462	
	12.08 Base spindle				
	<ul style="list-style-type: none"> ■ Missing 			088465	
	<ul style="list-style-type: none"> ■ Or damaged by force 			088465	
	12.09 Spindle				
	<ul style="list-style-type: none"> ■ Missing 			088466	
	<ul style="list-style-type: none"> ■ Or damaged by force 			088466	

PERI Rental Criteria

SB Brace Frame



Connection SB-A, B, C - MX/TR/D (025740)	Description	Instruction	Billing Condition	Type
--	-------------	-------------	-------------------	------

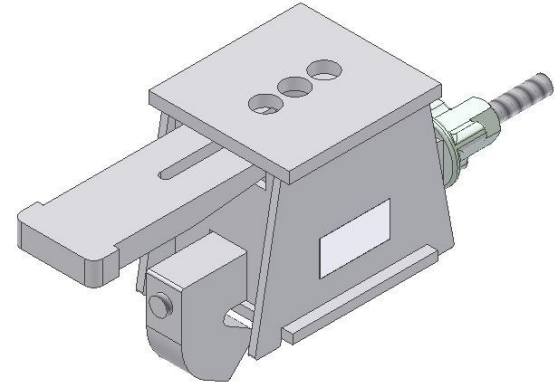


12.10 Thread not moveable

- Worn



- Or damaged by force



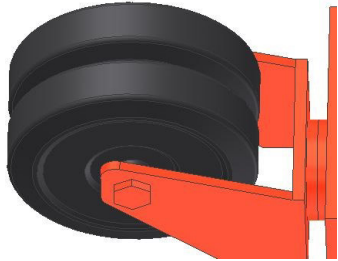






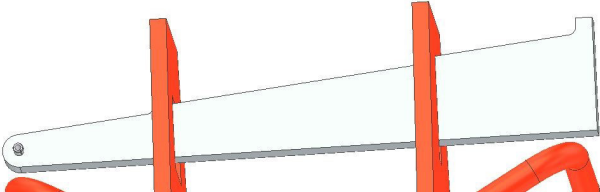


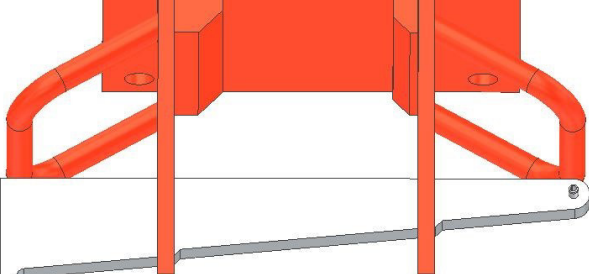




12.11 Wedge bent. Function not given



PERI Rental Criteria

SB Brace Frame



Guide Roller SB-A,B (025750)	Description	Instruction	Billing Condition	Type
	<p>12.12 Wheel</p> <ul style="list-style-type: none"> ■ Worn ■ Or damaged by force 	<ul style="list-style-type: none">   	<ul style="list-style-type: none">  088495  	<ul style="list-style-type: none">  
		<p>12.13 Wedge bent</p>	<ul style="list-style-type: none">  722123 (Wedge) 780802 (Sleeve) 	<ul style="list-style-type: none">  088481
		<p>12.14 Bracket Plaid bent</p> <ul style="list-style-type: none"> ■ If possible ■ Or if not possible 	<ul style="list-style-type: none">   	<ul style="list-style-type: none">  088244 

PERI Rental Criteria


SB Brace Frame

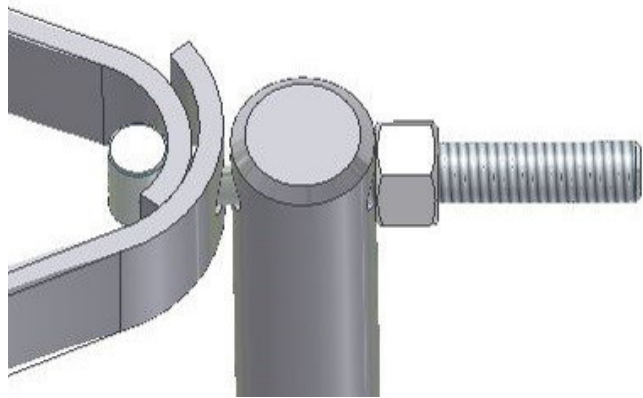


Hook Strap SB-1, 2 (027590)	Description	Instruction	Billing Condition	Type
-----------------------------	-------------	-------------	-------------------	------




12.15 Hook bent

 722657 (Hook R20)
 722658 (Hook R26)



12.16 Hammer Head Bolt | Nut


- Missing

 710290 (Hammer Head Bolt)
 710341 (Nut)

 088492



- Or damaged by force

 710290 (Hammer Head Bolt)
 710341 (Nut)

 088492

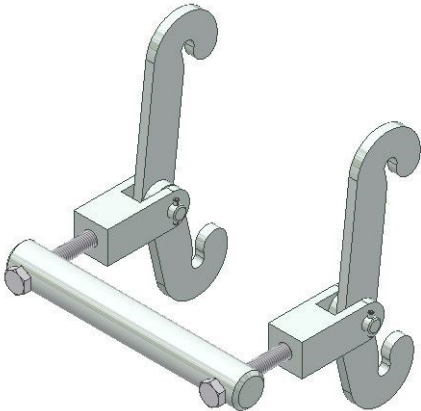


PERI Rental Criteria

SB Brace Frame




Hook Strap SB-2, asymmetric (116078)	Description	Instruction	Billing Condition	Type
--------------------------------------	-------------	-------------	-------------------	------




12.17 Hook

- Missing

- Or damaged by force


- 
 116071 (Hook long)
 116069 (Hook short)

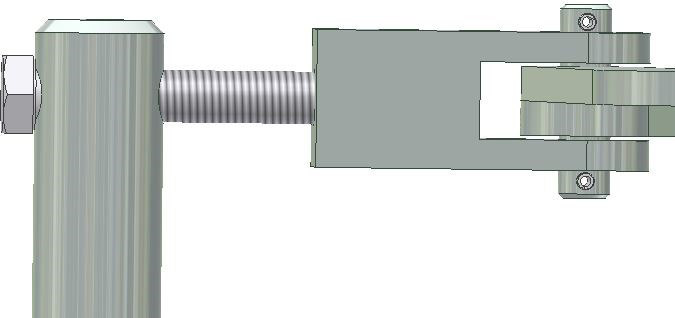
- 
 116071 (Hook long)
 116069 (Hook short)



12.18 Hex. Bolt | Bolt |Sleeve

- Missing

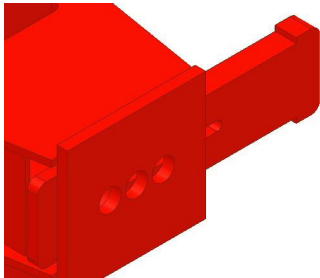



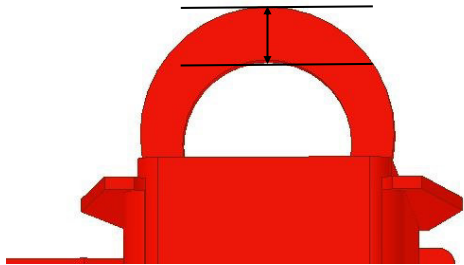











- 
 116073 (Bolt D 12)
 722930 (Sleeve)
 115007 (Hex. Bolt M12)



PERI Rental Criteria

SB Brace Frame



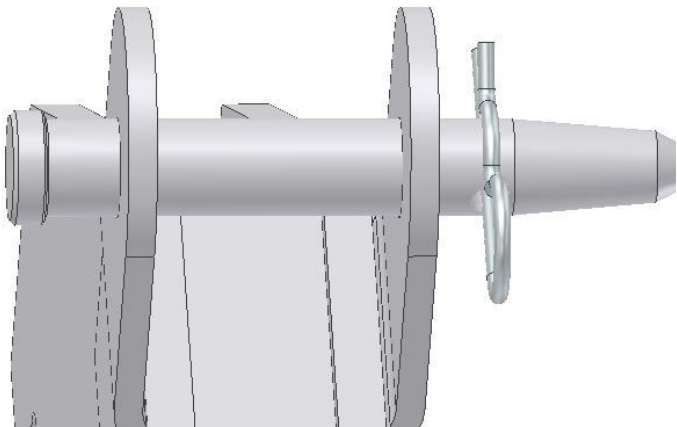
Adapter SB -1, 2 (027680)	Description	Instruction	Billing Condition	Type
	<p>12.19 Wedge bent. Function not given</p>			
	<p>12.20 Crane suspension worn</p> <ul style="list-style-type: none"> ■ Measurement ≤ 22,5 mm 	 		
	<p>12.21 Plaids bent</p> <ul style="list-style-type: none"> ■ If possible ■ Or if not possible 	 	 088244 	 

PERI Rental Criteria



SB Brace Frame



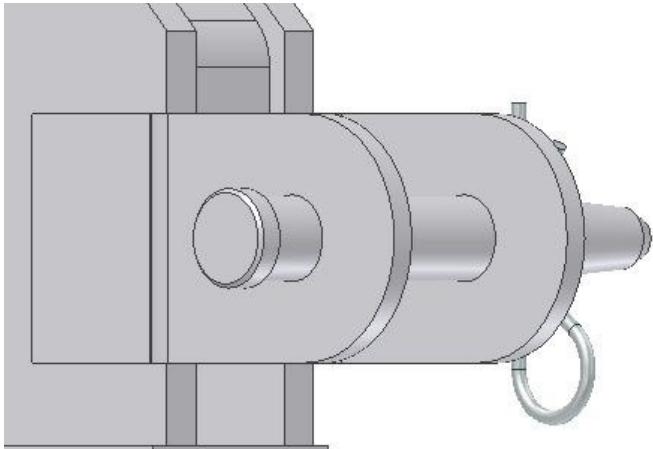
SB-L Anchor Bracket (100903)	Description	Instruction	Billing Condition	Type
------------------------------	-------------	-------------	-------------------	------



12.22 Bolt | Spring pin

 105400 (Bolt)
 018060 (Spring pin)

 088178



12.23 Latchet bent

■ If possible



 088244



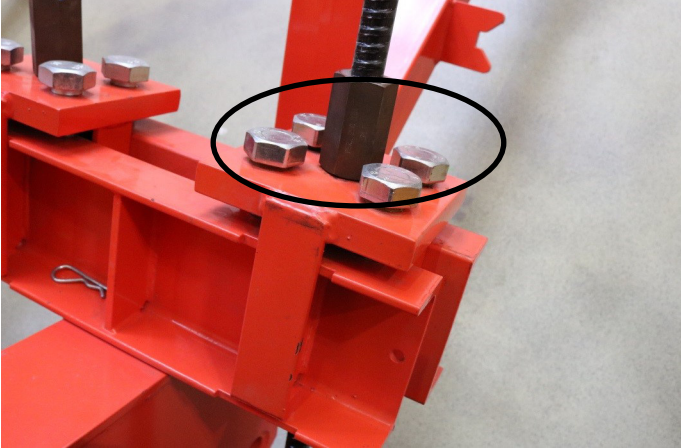






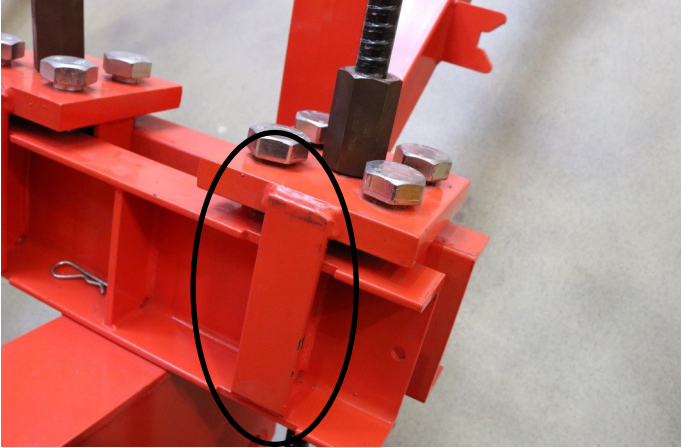



■ Or if not possible



PERI Rental Criteria

SB Brace Frame

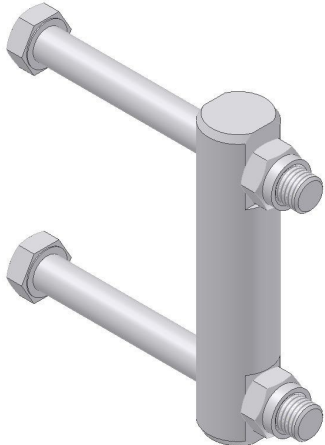






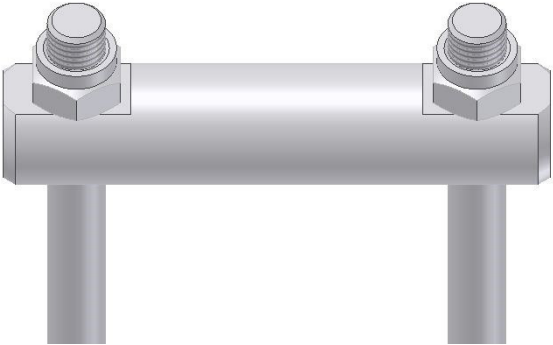






Tension Release Plate Anchor Plate (101621, 027480)	Description	Instruction	Billing Condition	Type
	12.24 Hex Bolt <ul style="list-style-type: none"> ■ Missing 	 724563		
	<ul style="list-style-type: none"> ■ Or damaged by force 	 724563		
	12.25 Plaids missing cut off bent		 088472	

PERI Rental Criteria

SB Brace Frame

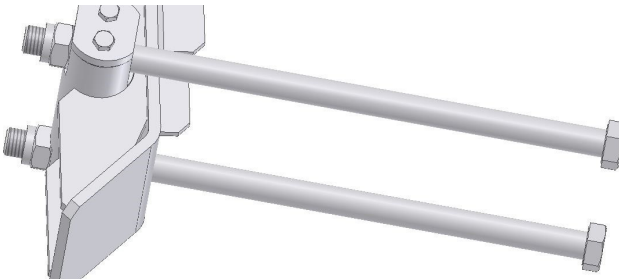






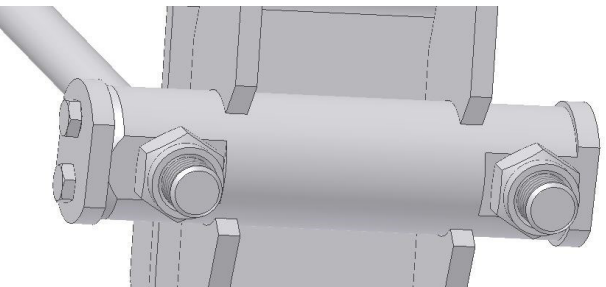



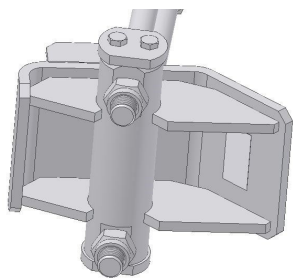








Base Frame Adaptor SB-A0, A, B (106662)	Description	Instruction	Billing Condition	Type
	<p>12.26 Hex. Bolt</p> <ul style="list-style-type: none"> ■ Bent ■ Or missing 	<ul style="list-style-type: none">  106797 (Hex. Screw) 106803 (Nut)  106797 (Hex. Screw) 106803 (Nut) 	<ul style="list-style-type: none">  088492 088489  088492 088489 	<ul style="list-style-type: none">  
	<p>12.27 Shaft damaged missing</p>	 		

PERI Rental Criteria

SB Brace Frame

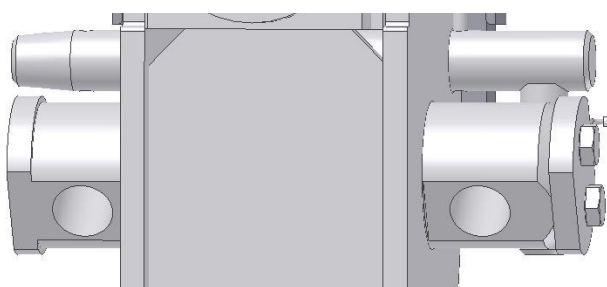






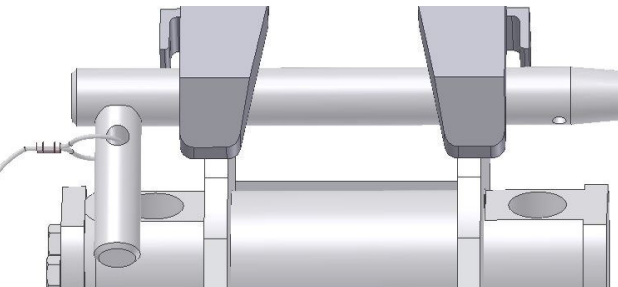



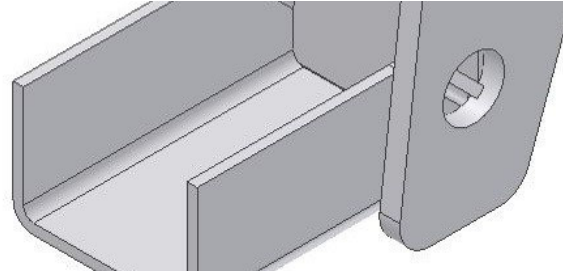








Base Frame Adaptor SB-2 (106663)	Description	Instruction	Billing Condition	Type
	<p>12.28 Hex. Screw</p> <ul style="list-style-type: none"> ■ Bent ■ Or missing 	<ul style="list-style-type: none">  106798 (Hex. Screw M24x 500) 106803 (Nut)  106798 (Hex. screw M24x 500) 106803 (Nut) 	<ul style="list-style-type: none">  088492 088489  088492 088489 	<ul style="list-style-type: none">  
	<p>12.29 Shaft damaged</p>	<ul style="list-style-type: none">  106732 (Shaft D=60) 	<ul style="list-style-type: none">  	<ul style="list-style-type: none"> 
	<p>12.30 Main part bent</p> <ul style="list-style-type: none"> ■ If possible ■ Or if not possible 	<ul style="list-style-type: none">   	<ul style="list-style-type: none">  088244  	<ul style="list-style-type: none">  

PERI Rental Criteria

SB Brace Frame

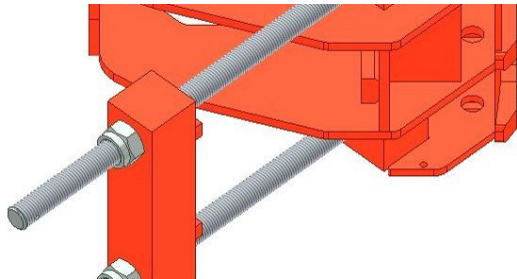






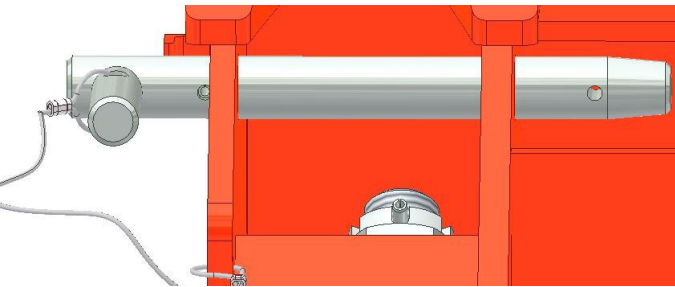



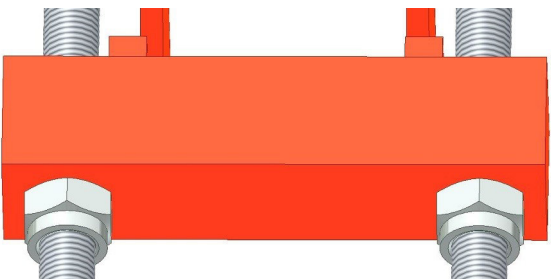





Brace Frame Wall Scaffold Hinge (106661)	Description	Instruction	Billing Condition	Type
	<p>12.31 Shaft useless</p> <ul style="list-style-type: none"> ■ Worn ■ Or damaged by force 	 	  088494	 
	<p>12.32 Bolt missing</p>	 715585 (Bolt) 127303 (Chain) 127302 (Ferrule)	 088478	
	<p>12.33 U- Profile bent</p> <ul style="list-style-type: none"> ■ If possible ■ Or if not 	 	 	 

PERI Rental Criteria

SB Brace Frame




















Wall Scaffold Hinge SB double (111866)	Description	Instruction	Billing Condition	Type
	<p>12.34 Thread Nut</p> <ul style="list-style-type: none"> ■ Bent ■ Or missing 	<ul style="list-style-type: none">  112094 (Thread) 725119 (Nut) 706476 (Castle nut)  112094 (Thread) 725119 (Nut) 706476 (Castle nut) 	<ul style="list-style-type: none">  088496 088483 088484  088496 088483 088484 	<ul style="list-style-type: none">  
	<p>12.35 Bolt missing</p>	<ul style="list-style-type: none">  715585 (Bolt) 127302 (Ferrule) 127303 (Chain) 	<ul style="list-style-type: none">  088478 	<ul style="list-style-type: none"> 
	<p>12.36 Dolly missing</p>	<ul style="list-style-type: none">  112093 (Dolly) 	<ul style="list-style-type: none">  088497 	<ul style="list-style-type: none"> 

PERI Rental Criteria

Glossary Icons



Icon	Significance	Icon	Significance	Icon	Significance
	Not OK – material is scrap		Billing necessary (customer)		Optical damage
	OK—material stays in rental park		No Billing necessary		Functional damage
	Scrap material—it's not permitted to hand out the material because of safety aspects		Shorten material		Functional damage—it's not permitted to hand out the material
	Repair according to Instruction		Mark material		Static damage—it's not permitted to hand out the material
	Fix material cold– Afterwards check weld seams and bordering components		Replace damaged material		
	Repair after local economic efficiency calculation		Replace missing material		
	Clean material				