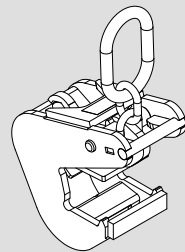
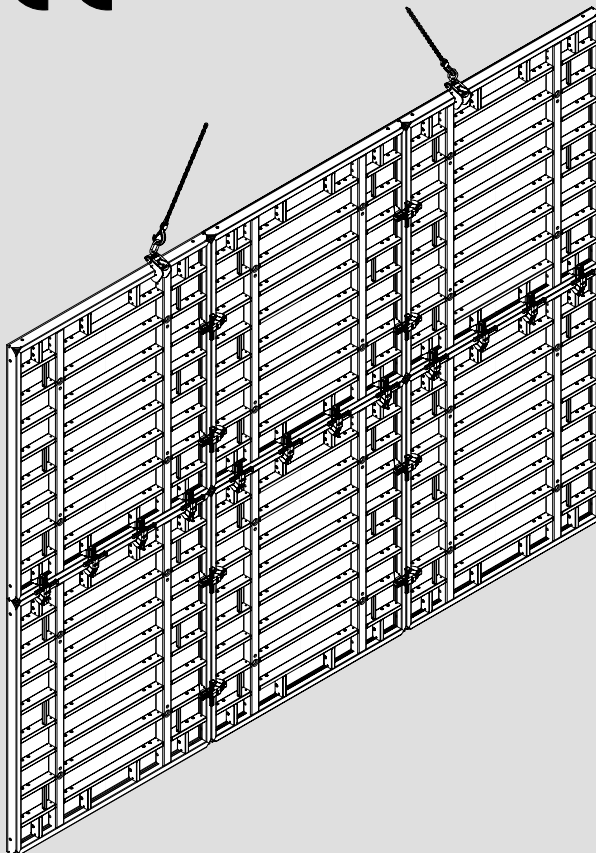


# Lifting Hook MAXIMO 1.5 t

Item no. 115168

Translation of the Original Instructions for Use





## **Introduction**

Overview	1
Key	2
Safety instructions	3
Intended use	6
Instructions for Use	7
Target groups	8
Storage and transportation	10
Additional technical documentation	11
Care and maintenance instructions	11
Identification markings	12
Inspections	12

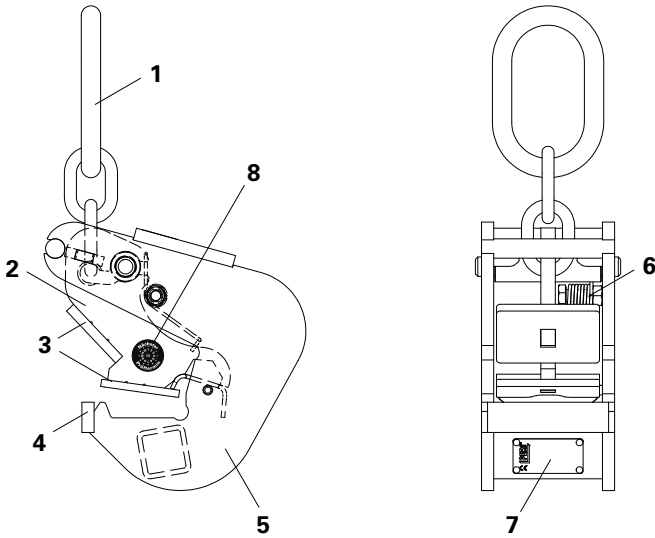
## **Application**

Load-bearing capacity	14
Assembly	15
Transport of load	16
Dismantling	17
Disposal	18

## **Appendix**

Components	19
EC Declaration of Conformity	20

## Overview



- (1) Lifting eye
- (2) Clamping jaw
- (3) Pressure plates
- (4) Support cam

- (5) Housing body
- (6) Spring
- (7) Type plate
- (8) Inspection plate

## Key



Safety instructions



Tip



Note



Visual check



Lifting point



Safety helmet



Safety shoes



Safety gloves



Safety glasses



Misapplication

## Dimension specifications

Dimensions are usually given in mm.

Other units of measure, e.g. cm, are shown in the illustrations.

Load details are usually given in kg. Other measurement units, e.g. t, are shown in the illustrations.

## Conventions

- Instructions are numbered with: 1..... , 2..... , 3.....
- The result of an instruction is shown by: →
- Position numbers are clearly provided for the individual components and are given in the drawing, e.g. **1**, in the text in brackets, for example, (1).
- Multiple position numbers, i.e. alternative components, are represented with a slash, e.g. **1 / 2**.

## Arrows

→ Arrow representing an action



## Safety instructions

The safety instructions alert site personnel to the risks involved and provide information on how to avoid these risks.

Safety instructions are featured at the beginning of the chapter ahead of the instructions, and are highlighted as follows:



### **Danger**

This sign indicates a hazardous situation which, if not avoided, will result in death or serious injury.



### **Warning**

This sign indicates a hazardous situation which, if not avoided, could result in death or serious injury.



### **Caution**

This sign indicates a hazardous situation which, if not avoided, could result in minor or moderate injury.



This sign indicates a warning of situations whereby failure to observe the information can result in material damage.

## Safety instructions

### General

When using PERI lifting accessories, the Instructions for Use and markings are to be complied with at all times!

Deviations from the standard configuration are only permitted after a further risk assessment has been carried out by the contractor.

On the basis of this risk assessment, appropriate measures for working and operational safety as well as stability are determined.

For the application and inspection of our products, the current safety regulations and guidelines in the respective countries where they are being used must be observed at all times.

The contractor must ensure that the Instructions for Use provided by PERI are available at all times for the users and that they are fully understood!

The contractor can only assign those persons to independently use lifting accessories who are actually familiar with the task!

PERI lifting accessories are to be used in such a way that persons are never put at risk in any way!

The maximum bearing capacity of PERI lifting accessories must not be exceeded! All persons using the lifting accessories must check the equipment during use for obvious defects (e.g. deformations, cracks, breaks, incomplete markings)!

Do not use damaged lifting accessories!

PERI lifting accessories may not be used in the case of illegible or missing markings!

The contractor must ensure that the personal protective equipment required for the assembly, modification or dismantling of the system is available and used as intended.

For a better understanding, detailed illustrations are partly incomplete. The safety installations which have possibly not been featured in these detailed drawings must nevertheless be available!



## Safety instructions

### Product-specific

The person who attaches the load to the lifting accessory must be sufficiently secured against falling. In all cases, the load must be secured against falling over and sliding!

Move loads only during safe wind conditions. Observe storm warnings! Depending on the type of load and the surface area subjected to wind attack, the decision whether sufficient safety measures are in place when moving the load is taken on the jobsite.

The lifting equipment which is attached to the lifting accessories must be equipped with a hook securing device.

The operator may begin to move the load only if he is completely satisfied that the load has been correctly attached.

Ensure loads are evenly balanced when being lifted! Loads must be sufficiently stable both in their form and position so that the load does not move during transportation!

Ensure that the load is in a safe and secure position before releasing the slings!  
Always lift up or set down loads smoothly without any jerking!

Before moving, remove or secure any loose components!

Persons are not allowed to remain under the load being lifted!

Transporting persons on the load is prohibited!

Ensure that the slings, such as steel wire ropes and chains, are not knotted or twisted! Neither wrap the lifting chains of the lifting accessories around the load to be transported nor stretch over sharp edges! Twisted chains must be straightened!

The transport of horizontal stacks is not allowed!

## Intended use

PERI products have been designed for exclusive use in the industrial and commercial sectors by suitably trained personnel only!

The product described here is classified as lifting accessory which is used as a lifting point for accommodating tensile forces. It is used exclusively for moving individual elements or element units of the following PERI systems:

- MAXIMO
- TRIO
- TRIO Housing

The Lifting Hook is classified as lifting accessory for continuous operation and remains attached to the crane.

Installation and position of the lifting accessory are provided in the corresponding Instructions for Assembly and Use of the system.

The lifting accessory is not approved for transporting personnel.

These Instructions for Use contain information for ensuring proper handling and correct application, inspection and maintenance.

The product described here corresponds to the relevant provisions and regulations of EU Machinery Directive 2006/42/EC.

These Instructions for Use provide the basis for the risk assessment. The risk assessment shall be compiled by the contractor. The Instructions for Use do not replace the risk assessment!

Use of the lifting accessory:

- Within the permissible load-bearing capacity 1.5 t (1500 kg).
- Within the permissible temperature limits of -20 °C to +60 °C.
- In good working order.
- When correctly assembled.

## Instructions on Use

The use in a way not intended or deviating from the intended use according to the Instructions for Use represents a misapplication with a potential safety risk.

Changes to PERI components are not permitted.

Only PERI original components may be used. The use of other products and spare parts represents a misapplication with associated safety risks.

Do not use damaged lifting accessories.

## Target groups

### Contractors

These Instructions for Use are intended for contractors who

- assemble, modify and dismantle the formwork system, or
- use it, e.g. for concreting, or
- for other operations, e.g. carpentry or electrical work.

### Construction site coordinator

The Safety and Health Protection Coordinator\*

- is appointed by the client,
- must identify potential hazards during the planning phase,
- determines measures that provide protection against risks,
- creates a safety and health protection plan,
- coordinates the protective measures for the contractor and site personnel so that they do not endanger each other,
- monitors compliance with the protective measures.

### Qualified persons

Due to the specialist knowledge gained from professional training, work experience and recent professional activity, the qualified person has a reliable understanding of safety-related issues and can correctly carry out tests. Depending on the complexity of the test to be undertaken, e.g. scope of testing, type of testing or the use of a certain measuring device, a range of specialist knowledge is necessary.

\* Valid in Germany: Regulations for Occupational Health and Safety on Construction Sites 30 (RAB 30).

## Technically qualified personnel

Formwork systems may only be assembled, modified or dismantled by personnel who are suitably qualified to do so. For the work to be carried out, the technically qualified workers must have received instructions\*\* which contain at least the following points:

- An explanation of the plan for the assembly, modification or dismantling of the formwork system in an understandable form and language.
- Description of measures in order to safely assemble, modify or dismantle the formwork system.
- Designation of the preventive measures to avoid the risk of persons and objects falling.
- Designation of the safety precautions in the event of changing weather conditions which could adversely affect the safety of the formwork system concerned as well as the personnel.
- Details regarding the permissible loads.

Description of any other risks that are associated with the assembly, modification or dismantling procedures.



**In other countries, ensure that the relevant national guidelines and regulations in the respective current version are complied with!**

\*\* Instructions are given by the contractor himself or a qualified person selected by him.

## Storage and transportation

Store and transport the lifting accessories so they cannot unintentionally change their position or be damaged in any way.

Do not drop the lifting accessories.

During the moving procedure with the crane, ensure that components are picked up and set down so that any unintentional falling over, falling apart, sliding, falling to the ground or rolling is avoided.

Do not place any loads on the lifting accessories.

Use original PERI storage and transport systems, e.g. crate pallets.

Store in a dry, clean and corrosion-protected condition at temperatures from  $-20^{\circ}\text{C}$  to  $+60^{\circ}\text{C}$ .

PERI lifting accessories must be protected against the effects of the weather and aggressive materials if safety is then likely to be affected!

During transport, intermediate storage or when remaining suspended on the load, ensure that they remain free of dirt and that their functionality is not affected.

## Additional technical documentation

- Instructions for Assembly and Use:
  - MAXIMO MX 15
  - MAXIMO MX 18
  - TRIO
  - TRIO Housing
- Brochures:
  - MAXIMO
  - TRIO
  - TRIO Housing
- Instructions for Use:
  - Pallets and Stacking Devices

## Care and maintenance instructions

The lifting accessories have been designed for long-term use on construction sites.

In order to ensure a cost-effective, technically sound and safe use over a long period, it is important to take a value-preserving approach.

Repairs are to be carried out by authorized PERI personnel only. Only PERI original components may be used.

## Identification markings



### Danger

- Do not use the Lifting Hook 1.5 t if the type plate is missing or is illegible!
- Do not use the Lifting Hook 1.5 t if the inspection plate is missing, has expired, or is illegible!
- If markings are missing, illegible or have expired, immediately arrange an inspection by a qualified person and subsequently attach a new type plate or inspection plate. The results of the inspection must be documented!



### Type plate (7)

Markings comply with the requirements of the Machine Directive 2006/42/EC.

### Inspection plate (8)

It documents the next inspection date.



## Inspections

### 1. General

The procedure described in this section is based on the current German regulations for testing and inspections.

The points listed form the minimum requirements for the inspection.

The respective regulations of the individual states and countries where this product is used must be taken into account.

If no country-specific regulations are available, it is recommended to proceed according to German rules and regulations.

The contractor is responsible for determining the type, scope and intervals for the required inspections relating to the provision of the lifting accessory.

As a result of these inspections, any safety-related defects are to be systematically identified and remedied.



## 2. Purpose

Due to the check carried out before the initial operations as well as regularly recurring inspections of the lifting accessories, it can be ensured that operational and functional reliability is guaranteed.

## 3. Responsibility

The contractor must ensure that the lifting accessory is put into operation only if it has been inspected by a qualified person.

## 4. Inspection

It has to be verified whether all defects have been rectified or non-functioning products have been replaced.

The inspection includes a visual and functional check:

### 4.1 Safety check

- Deformation, wear and lengthening of the components.
- Corrosion damage.
- Mechanical damage.
- Check bolts, lifting beam hooks and chain slings for signs of damage.
- Availability of all components.
- Cracks, bending, flattening, notches on components.
- Only original PERI components may be used.
- Indications of impermissible heating or contact with fire.
- Markings must be legible.

### 4.3 Functional check

- Free and easy movement of moving parts.
- Locking system works correctly.
- Safety pawls and safety hooks engage.
- Eyes and shackles for fastening purposes are usable.

Implementation of anything beyond the usual scope of inspection is subject to the discretion of the authorized person and can extend to additional checks.

### 4.4 Measures

If any defects are determined during the safety inspection, they must be eliminated according to the instructions provided by the authorized person. A new inspection is to be subsequently carried out.

### 4.5 Inspection before starting work operations

- Check whether the load-bearing capacity of the lifting accessory is sufficient for the weight of the load.
- Check the lifting accessory for any defects.
- Check the validity of the inspection plate.

## Load-bearing capacity of the Lifting Hook



### Warning

Lifting other products is not permitted!

**Load Factor: 3**  
(according to DIN 13155)

### Perm. load capacity:

Steel Panels 1.5 t (Fig. 1)

Alu Panels 750 kg (Fig. 2)

e.g. 6 MAXIMO Panels MX 330 x 240 or TRIO TR 330 x 240 to be moved as one unit.

### Max. crane sling angle = 30°

If the spacing  $L_1$  of the Lifting Hook is smaller than the individual chain length  $L$  of the lifting gear, then the crane sling angle is  $\leq 30^\circ$ . (Fig. 3)

If the Lifting Hook is used together with the Lifting Gear Combi MX, the individual chain length  $L$  of the lifting gear is a max. 3.90 m.

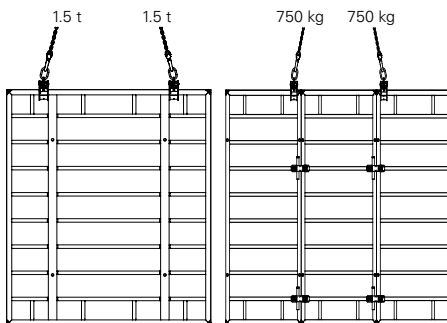


Fig. 1, Steel Panels

Fig. 2, Aluminium Panels

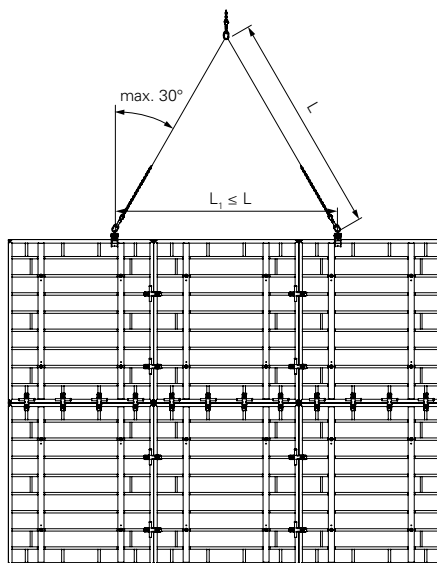


Fig. 3

## Assembling the Lifting Hook



### Danger

**Overloading! Always mount 2 Lifting Hooks symmetrically to the load centre for each transportation unit-exception: panel width 30 cm!**

- For panel widths > 30 cm: mount two Lifting Hooks so that they are supported on the panel struts in the direction towards one another in order to prevent them from slipping out of position. (Fig. 4a)
- For panel widths 30 cm: position one Lifting Hook in the middle. (Fig. 4b)
- Always transport TRIO Internal Corners in combination with the next panel. Attach Lifting Hook to the next panel (high profile)!

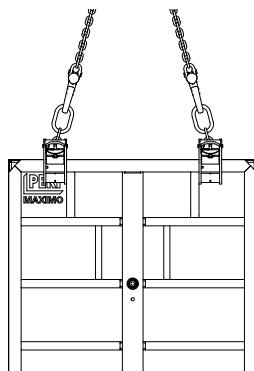


Fig. 4a

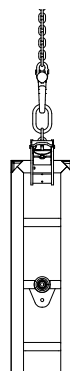


Fig. 4b

## Assembly

1. Push back the clamping jaw (2) by hand or with a tie rod against the spring resistance until the outermost position is reached and then push the Lifting Hook over the edge profile until the support cam (4) is locked in place in the edge profile beading. (Fig. 5)
2. The clamping jaw (2) closes due to the spring resistance. The Lifting Hook is held in a closed position through the strength of the spring, also with traction relief.

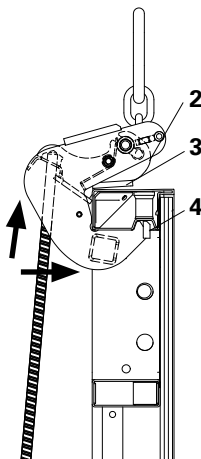


Fig. 5



If the spring resistance is too weak, no longer use the Lifting Hook. Replace the Lifting Hook.



The pressure plate (3) must lie full-faced on the edge profile. (Fig. 5)

## Lifting Hook MAXIMO 1.5 t

Translation of the Original Instructions for Use

## Transport of load

### Before lifting:



- Check the fastening attachment for the Lifting Hook on the panel. (Fig. 6)
- With the TRIO Inside Corner, the Lifting Hooks must be attached to the next panel (high profile). (Fig. 6a)

### During transportation:



**Danger**  
**Never linger under suspended loads!**

### After concreting:



**Warning**  
**Do not release the panels from the concrete with the crane. Uncontrolled movement and overloading!**

### Setting down:

Never set the load down abruptly. Do not set the Lifting Hook down on any obstacles.

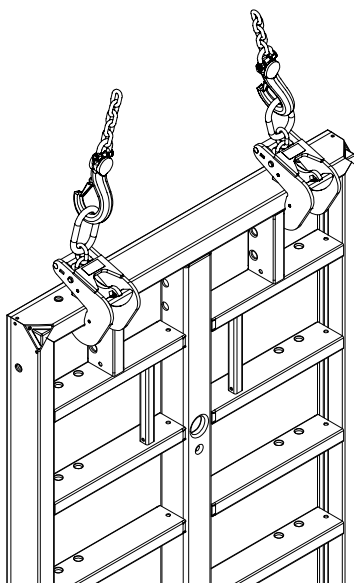


Fig. 6

### Internal Corner TRIO

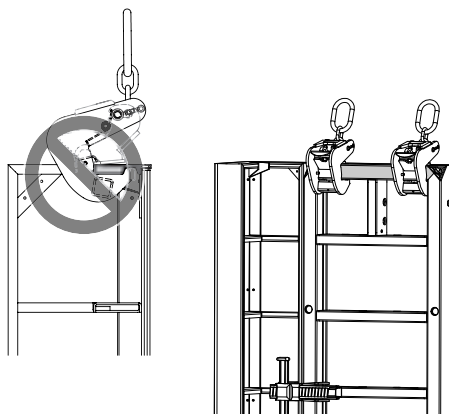


Fig. 6a

## Dismantling the Lifting Hook on vertically-positioned panels



**Danger**

**Panel can tip over! Support the panel and then release the Lifting Hook!**

### Dismantling

1. Push back the clamping jaw (2) by hand or with a tie rod against the spring resistance until the outermost position is reached and then push the Lifting Hook to the rear. (Fig. 7 + Fig. 8)

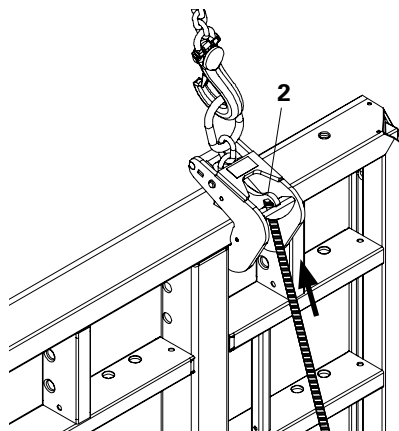


Fig. 7

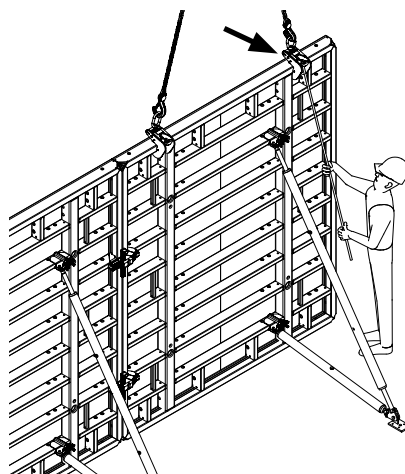


Fig. 8

## Dismantling the Lifting Hook on horizontally-positioned panels

Ensure that there is sufficient spacing between a horizontally-positioned panel and one which is to be laid down, e.g. use timbers.

Spacing  $\geq 10$  cm.

(Fig. 9)

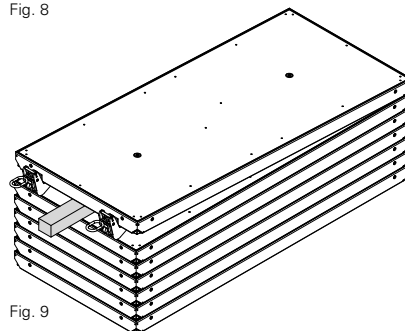


Fig. 9

## Disposal

Disposal of the components must be arranged by an authorized person.

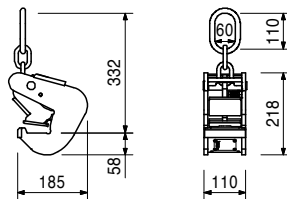
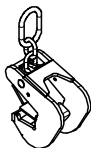


### Caution

- **Separate materials correctly and according to type.**
- **The materials are to be disposed of according to local regulations and guidelines.**



Item no.	Weight kg		
115168	7,480	<b>Lifting Hook MAXIMO 1.5 t</b> For transportation of TRIO and MAXIMO Panels.	<b>Note</b> Follow Instructions for Use. <b>Technical data</b> Permissible load-bearing capacity: Steel Panels 1.5 t. Aluminium Panels 750 kg.



## EG – Konformitätserklärung

im Sinne der EG-Richtlinie 2006/42/EG

Anhang II, 1.A

**In der Gemeinschaft ansässige Person, die bevollmächtigt ist, die technischen Unterlagen zusammenzustellen:**

Dipl.-Ing. Rainer Bolz  
PERI GmbH  
Rudolf-Diesel-Straße 19  
89259 Weißenhorn

**Beschreibung und Identifizierung:**

Produktgruppe: Wandschalung  
Typ: Lastaufnahmemittel  
Artikel-Nr.: 115168  
Handels-Bez.: Versetzhaken MAXIMO 1,5 t

**Es wird ausdrücklich erklärt, dass dieses Produkt allen einschlägigen Bestimmungen der folgenden EG-Richtlinien entspricht:**

EG Maschinenrichtlinie 2006/42/EG

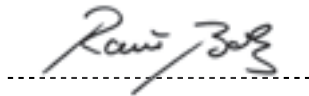
**Fundstelle der angewandten harmonisierten Normen entsprechend Artikel 7, Absatz 2:**

EN 13155 : 2009-08  
EN 12100 : 2011-03

Weißenhorn, 29.09.2015

**Hersteller**

PERI GmbH  
Postfach 1264  
89259 Weißenhorn



**Leitung Produktentwicklung**

Dipl.-Ing. Rainer Bolz  
PERI GmbH



This document is a translation into  
English from the German original.

## **EC – Declaration of Conformity** according to the EC Machinery Directive 2006/42/EC Annex II, 1.A

### **Person residing within the Community authorised to compile the relevant technical documentation:**

Dipl.-Ing. Rainer Bolz  
PERI GmbH  
Rudolf-Diesel-Strasse 19  
89259 Weissenhorn

### **Description and identification:**

Product Group:	Wall Formwork
Type:	Lifting Accessory
Article no.:	115168
Commercial Designation:	Lifting Hook MAXIMO 1.5 t

### **It is expressly declared that this product fulfills all relevant provisions of the following EU Directives:**

European Directive On Machinery 2006/42/EC

### **Reference to the harmonised standards used, as referred to in Article 7, Annex 2:**

EN 13155 : 2009-08  
EN 12100 : 2011-03

Weissenhorn, 29.09.2015

**Manufacturer**  
PERI GmbH  
Postfach 1264  
89259 Weissenhorn





**The optimal  
System for every  
Project and every  
Requirement**



**Wall Formwork**



**Column Formwork**



**Slab Formwork**



**Climbing Systems**



**Bridge Formwork**



**Tunnel Formwork**



**Shoring Systems**



**Construction Scaffold**



**Facade Scaffold**



**Industrial Scaffold**



**Access**



**Protection Scaffold**



**Safety Systems**



**System-Independent  
Accessories**



**Services**



**PERI GmbH  
Formwork Scaffolding Engineering**

Rudolf-Diesel-Strasse 19  
89264 Weissenhorn  
Germany  
Tel. +49 (0)7309.950-0  
Fax +49 (0)7309.951-0  
info@peri.com  
www.peri.com