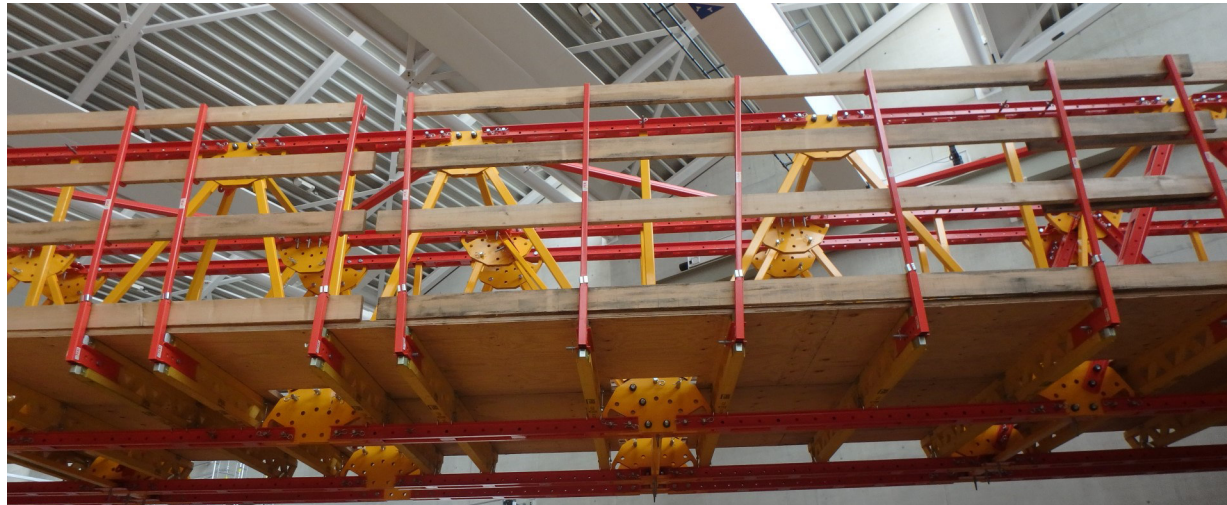


# PERI Rental Criteria

## ALPHAKIT



### Contact

**PERI GmbH**  
**Formwork Scaffolding**  
**Engineering**  
 P.O. Box 1264  
 89264 Weissenhorn, Germany  
 Phone +49 (0) 7309.950-0  
 Fax +49 (0) 7309.951-0  
 rental-criteria@peri.de

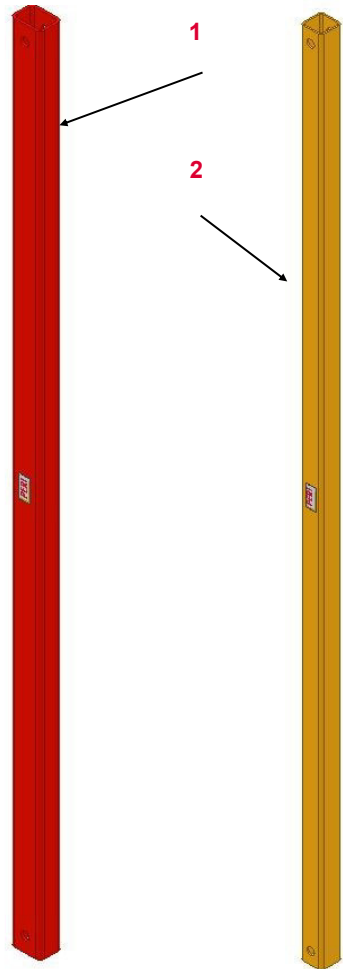
Content	Page	Vorgenommene Änderungen	Datum   Kürzel, Wer	Seite
Diagonal	2	Neuerstellung	08/2016   fw	
Horizontal Posts	6			
Steel Waler	7			
Main Beam	8			
Assembly Parts	9			
Glossary	27			

# PERI Rental Criteria

## ALPHAKIT



Diagonal	No.	Name	Article number
----------	-----	------	----------------



1	Diagonal-6
2	Diagonal-4

### Valid for

Diagonal-6 150/212 Alpha	130090
Diagonal-6 150/262 Alpha	130079
Diagonal-6 150/162 Alpha	130071
Diagonal-6 100/262 Alpha	130063
Diagonal-6 100/212 Alpha	130061
Diagonal-6 100/162 Alpha	130059
Diagonal-4 150/136 Alpha	130055
Diagonal-4 150/162 ATS	130053
Diagonal-4 150/186 Alpha	130051
Diagonal-4 150/262 Alpha	130049
Diagonal-4 150/212 ATS	130047

Diagonal	Description	Instruction	Billing Condition	Type
	<b>04.16.01 Diagonal bent</b>			
	■ ≤ permitted bent (l/500)			
	■ Or > permitted bent (l/500)			
	<b>Permitted bent</b>			
	Diagonal-6 150/212 Alpha	5 mm		
	Diagonal-6 150/262 Alpha	6 mm		
	Diagonal-6 150/162 Alpha	4 mm		
	Diagonal-6 100/262 Alpha	6 mm		
	Diagonal-6 100/212 Alpha	5 mm		
	Diagonal-6 100/162 Alpha	4 mm		
	Diagonal-4 150/136 Alpha	4 mm		
Diagonal-4 150/162 ATS	4 mm			
Diagonal-4 150/186 Alpha	5 mm			
Diagonal-4 150/262 Alpha	6 mm			
Diagonal-4 150/212 ATS	5 mm			

Diagonal	Description	Instruction	Billing Condition	Type
	<b>04.16.02 Dent in Profile</b>			
	<ul style="list-style-type: none"> <li>■ <math>\leq 5</math> mm depth and edges not affected</li> </ul>			
	<ul style="list-style-type: none"> <li>■ Or <math>&gt; 5</math> mm depth</li> </ul>			
	<ul style="list-style-type: none"> <li>■ Or edges affected</li> </ul>			
	<b>04.16.03 Profile end deformed</b>			
	<ul style="list-style-type: none"> <li>■ If possible</li> </ul>			088244
	<ul style="list-style-type: none"> <li>■ Or if not possible</li> </ul>			

Truss Diagonal 212; 262 (130098; 130122)	Description	Instruction	Billing Condition	Type
--	-------------	-------------	-------------------	------



### 04.16.04 Profile bent

- > 5 mm



### 04.16.05 Bracket bent

- If possible



088244



- Or if not possible



- Or crack in welding



### Horizontal post



#### Valid for

Horizontal Post 37.5 Alpha	130085
Horizontal Post 50 Alpha	130067
Horizontal Post 75 Alpha	130083
Horizontal Post 100 Alpha	130069
Horizontal Post 150 Alpha	130065

Damage	Description	Instruction	Billing Condition	Type
--------	-------------	-------------	-------------------	------

#### 04.16.06 Profile bent



- > 5 mm



#### 04.16.07 Profile end bent



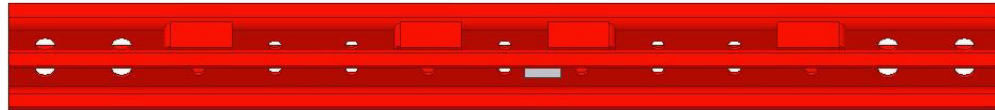
- If possible
- Or if not possible



088244



### Steel Waler



#### Valid for

Steel Waler 162 Alpha	129877
Steel Waler 212 Alpha	129874
Steel Waler 262 Alpha	129871

### Damage

#### Description

#### Instruction

#### Billing Condition

#### Type

#### 04.16.08 Profile end bent



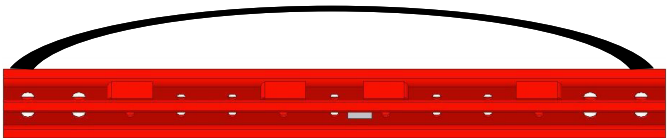
- If possible
- Or if not possible



088244



#### 04.16.09 Profile bent



- > 5 mm



### Main Beam



#### Valid for

Main Beam 300 Alpha	130042
Main Beam 500 Alpha	130039
Main Beam 1000 Alpha	130036

### Damage

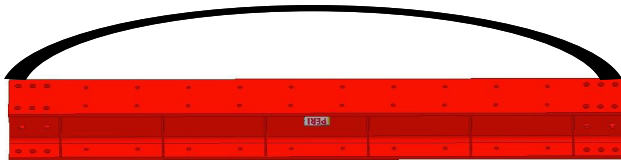
#### Description

#### Instruction

#### Billing Condition

#### Type

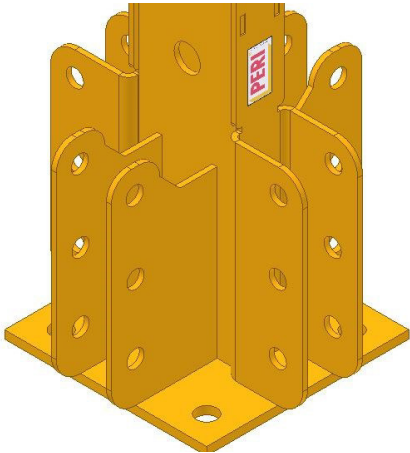









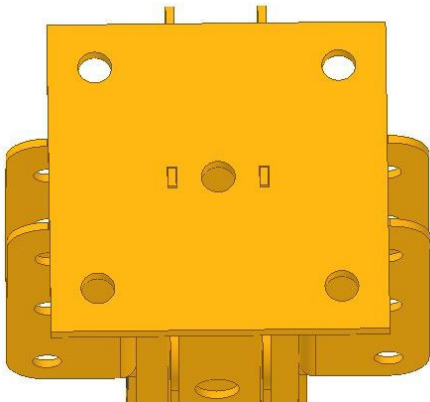



#### 04.16.10 Main Beam bent



- > 15 mm (L/500)





Prop Base ATS (130150)	Description	Instruction	Billing Condition	Type	
	<b>04.16.11 Connection bracket bent</b>				
	■ If possible			088244	
	■ Or if possible				
	■ Or crack in welding				
	<b>04.16.12 Foot plate bent</b>			088244	

# PERI Rental Criteria

## ALPHAKIT

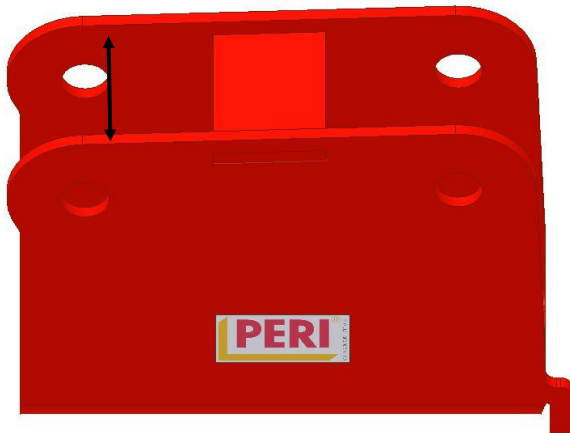


Bracing Connector ATG; 75 (130124;130081)	Description	Instruction	Billing Condition	Type
---	-------------	-------------	-------------------	------

04.16.13 Bent



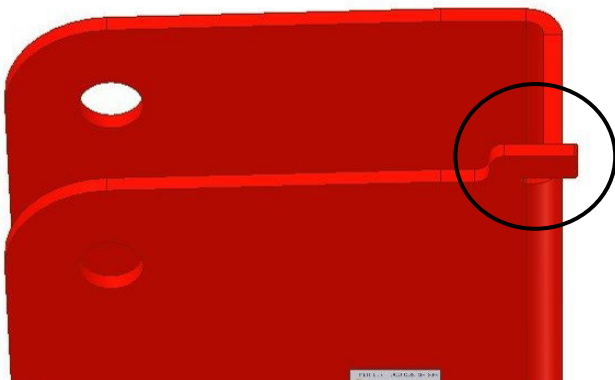
088244



04.16.14 Nose bent



088244



# PERI Rental Criteria

## ALPHAKIT



Chord note ATG (130119)	Description	Instruction	Billing Condition	Type
-------------------------	-------------	-------------	-------------------	------

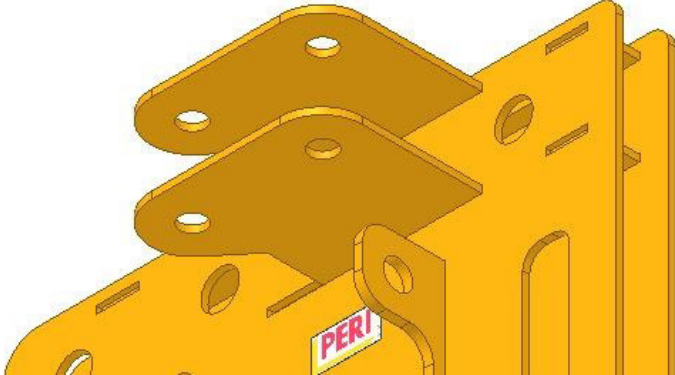



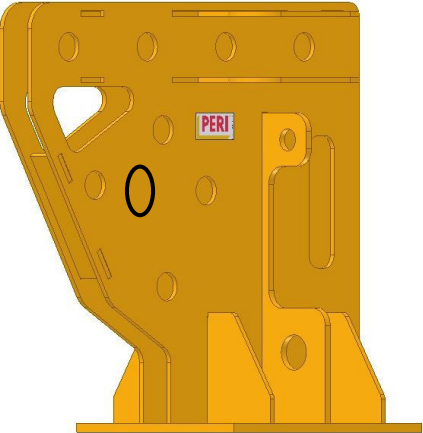





04.16.15 Bracket bent



088244


















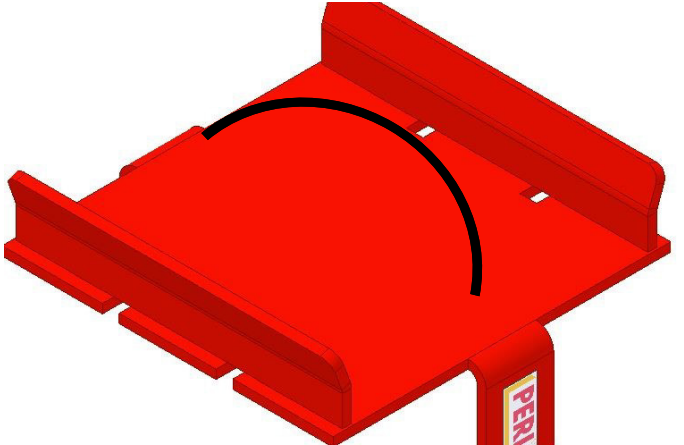



Support Node (130115)	Description	Instruction	Billing Condition	Type
	<b>04.16.16 Bracket bent</b>		 088244	
	<b>04.16.17 Dents in profile</b>			
	<ul style="list-style-type: none"> <li>■ &gt; 5 mm depth</li> </ul>			

# PERI Rental Criteria

## ALPHAKIT

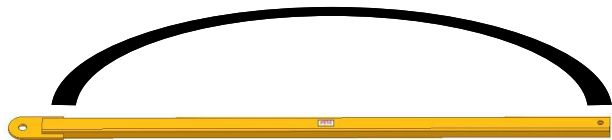


Vertical Connector ATS (130108)	Description	Instruction	Billing Condition	Type
	04.16.18 Brackets bent		 088244	
	04.16.19. Profile end bent		 088244	

Support Calotte ATG (130103)	Description	Instruction	Billing Condition	Type
	<p><b>04.16.20 Plate bent</b></p> <ul style="list-style-type: none"> <li>■ If possible</li> <li>■ Or if not possible</li> </ul>	<ul style="list-style-type: none"> <li></li> <li></li> </ul>	<ul style="list-style-type: none"> <li> 088244</li> <li></li> </ul>	<ul style="list-style-type: none"> <li></li> <li></li> </ul>
	<p><b>04.16.21 Base plate bent</b></p> <ul style="list-style-type: none"> <li>■ &gt; 5 mm</li> </ul>	<ul style="list-style-type: none"> <li></li> </ul>	<ul style="list-style-type: none"> <li></li> </ul>	<ul style="list-style-type: none"> <li></li> </ul>

Support Adapter ATG (130094)	Description	Instruction	Billing Condition	Type
	<p><b>04.16.22 Base plate bent</b></p> <ul style="list-style-type: none"> <li>■ &gt; 5 mm</li> </ul>			
	<p><b>04.16.23 Support plate bent</b></p>			<p>088244</p>

Truss Diagonal ATG (130088)	Description	Instruction	Billing Condition	Type
-----------------------------	-------------	-------------	-------------------	------



04.16.24 Tube bent

■ > 5 mm



04.16.25 Bracket bent



088244



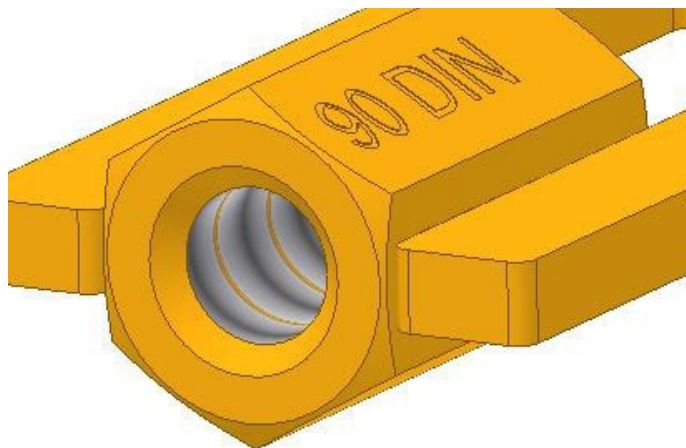


# PERI Rental Criteria

## ALPHAKIT



H- Load Tie Yoke DW 15 (130032)	Description	Instruction	Billing Condition	Type
---------------------------------	-------------	-------------	-------------------	------

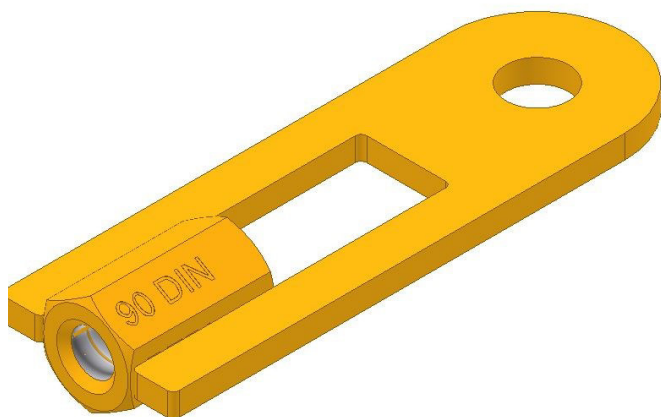


### 04.16.26 Thread

- Soiled
- Or thread not moveable



Gewinde nachschneiden



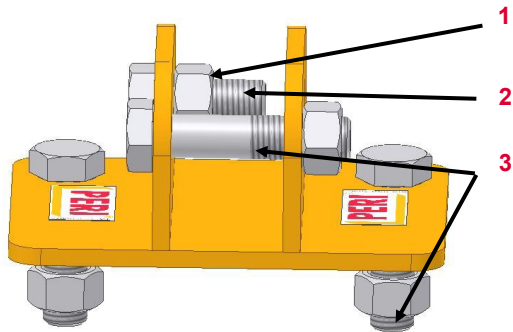
### 04.16.27 Bent



088244

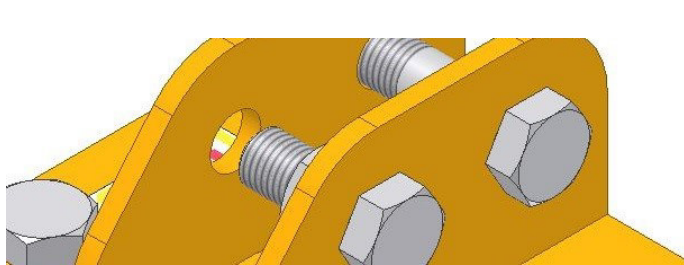


H- Load Connector ATG (130029)	No.	Name	Article number
--------------------------------	-----	------	----------------



1	Sechskantmutter M 20	710334
2	Schraube M 20x 50	780357
3	Schraube M 20x 70	721912

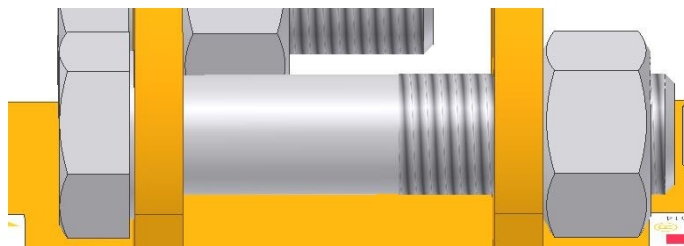
Schaden	Description	Instruction	Billing Condition	Type
---------	-------------	-------------	-------------------	------



04.16.28 Bracket bent



088244



04.16.29 Screw | nut

■ Missing



088024



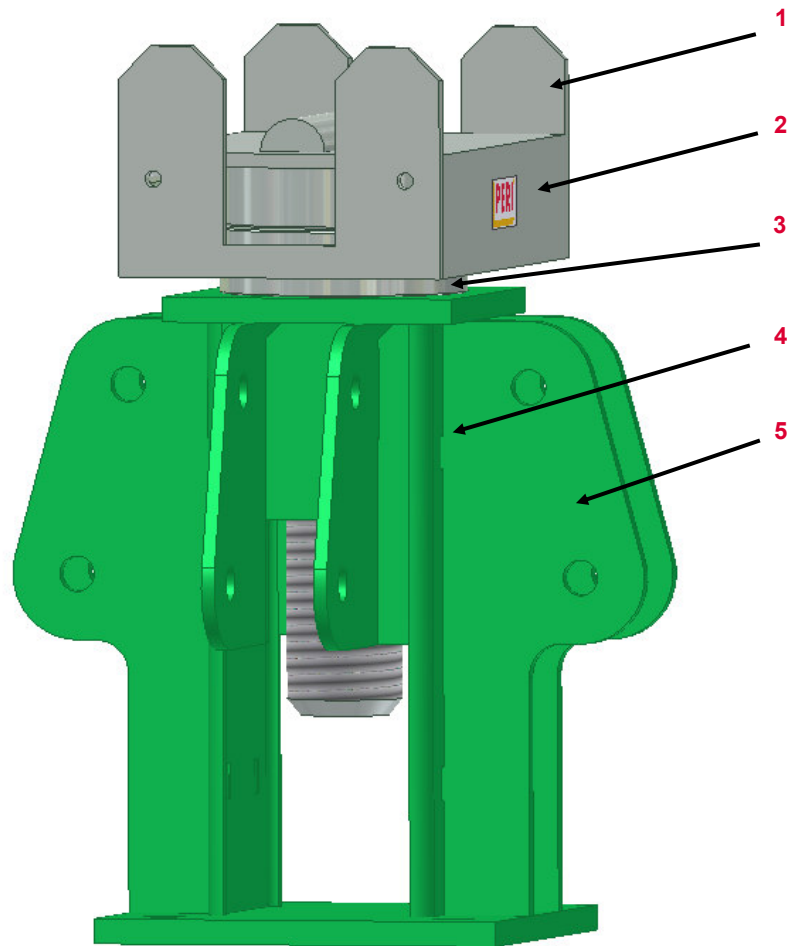
■ Or damaged




088024



Head Spindle ATS (130144)	No.	Name	Article number
---------------------------	-----	------	----------------



1	Side profile		
2	Spindle	130134	
3	Nut TR 70	130128	
4	Head Spindle		
5	Connection brackets		

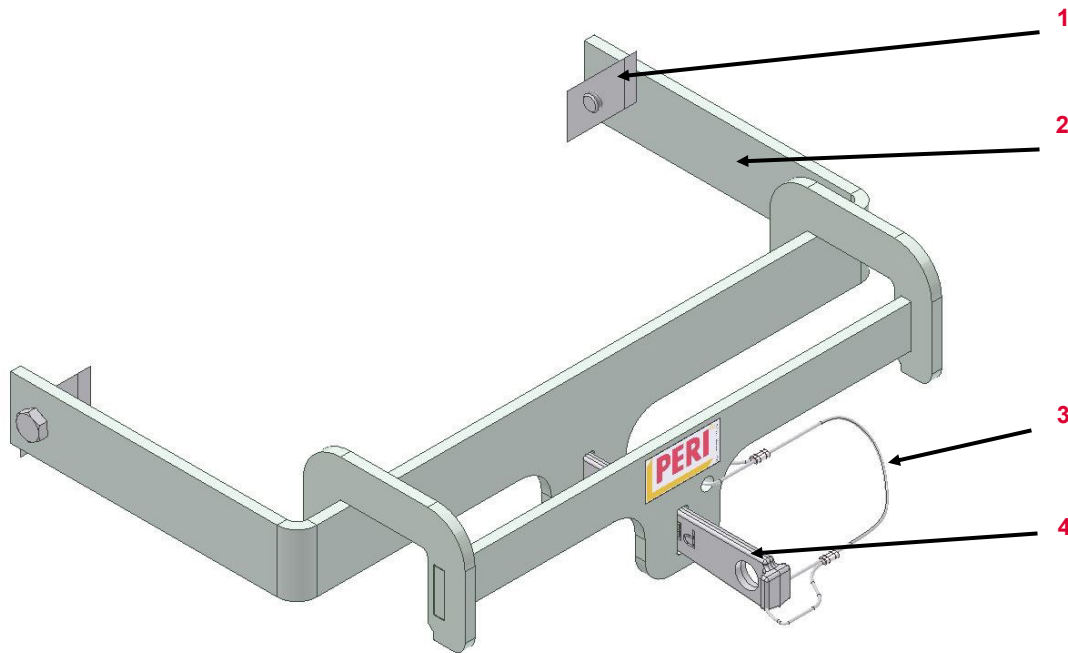
Head Spindle ATS	Description	Instruction	Billing Condition	Type
	<b>04.16.30 Side profile bent</b>	<ul style="list-style-type: none"> <li>■ If possible</li> </ul>	 088244	
	<ul style="list-style-type: none"> <li>■ Or if not possible</li> </ul>	 130134 (Spindle)		
	<b>04.16.31 Connection bracket bent</b>		 088244	
	<b>04.16.31 Spindle useless</b>	 130134 (Spindle)		

# PERI Rental Criteria

## ALPHAKIT



### Ladder Connector 60/60 ATS (130077)

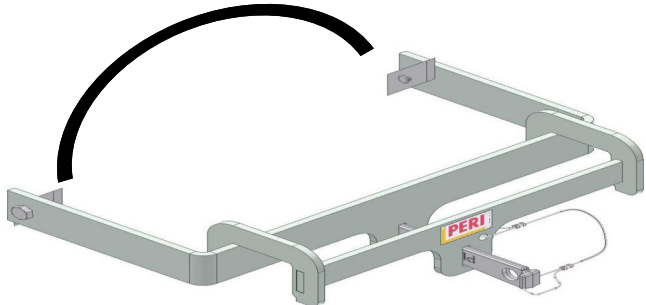






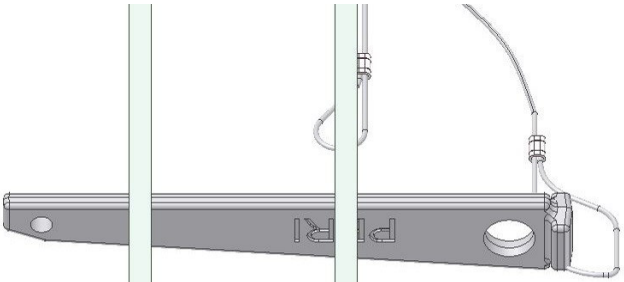





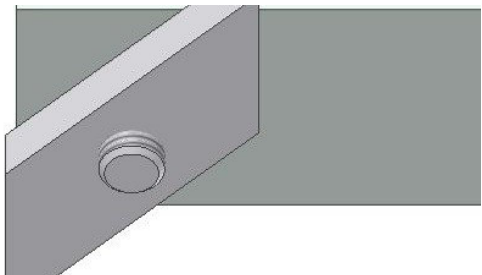





No.	Name	Article number
1	Fixing plate	701763
2	Bracket	
3	Chain	127303
4	PERI Wedge	024250

# PERI Rental Criteria

## ALPHAKIT



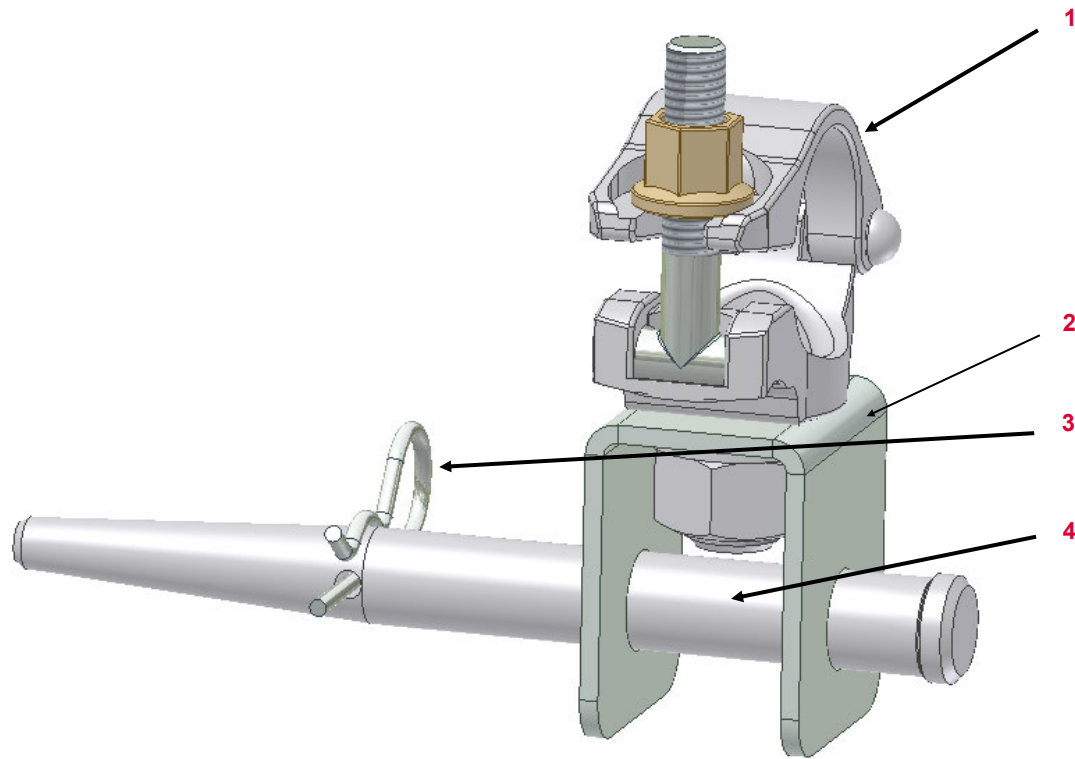
Ladder Connector (130077)	Description	Instruction	Billing Condition	Type
	<p><b>04.16.32 Bent</b></p> <ul style="list-style-type: none"> <li>■ If possible</li> <li>■ Or if not possible</li> </ul>	<p>   </p>	<p>  088244   </p>	<p>    </p>
	<p><b>04.16.33 Wedge missing</b></p>	<p>  024250 (Wedge)   127303 (Chain)   127302 (Ferrule)         </p>	<p></p>	<p></p>
	<p><b>04.16.34 Fixing plate bent   useless</b></p>	<p>  701763         </p>	<p></p>	<p></p>

# PERI Rental Criteria

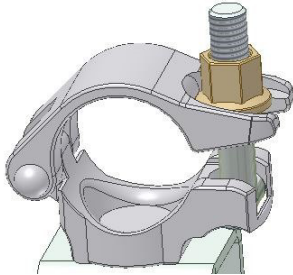



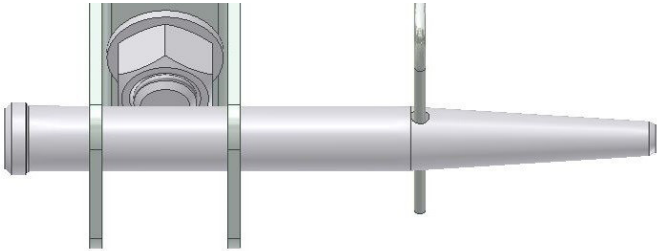






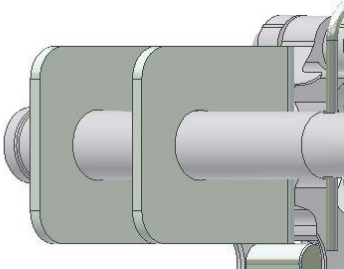






## ALPHAKIT



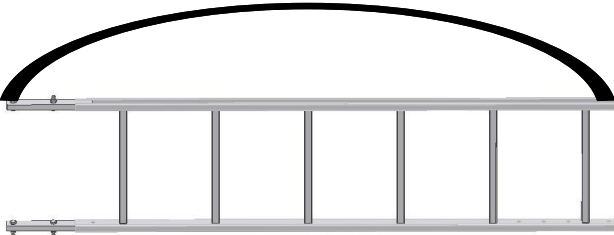







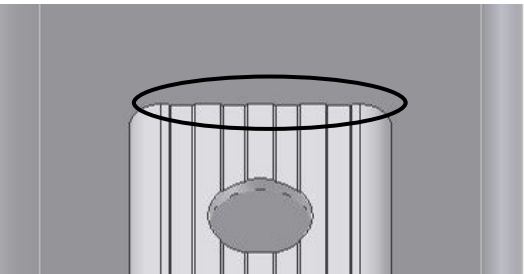



Scaffold Tube Adapter Ø 48 Alpha (130045)	No.	Name	Article number
---	-----	------	----------------



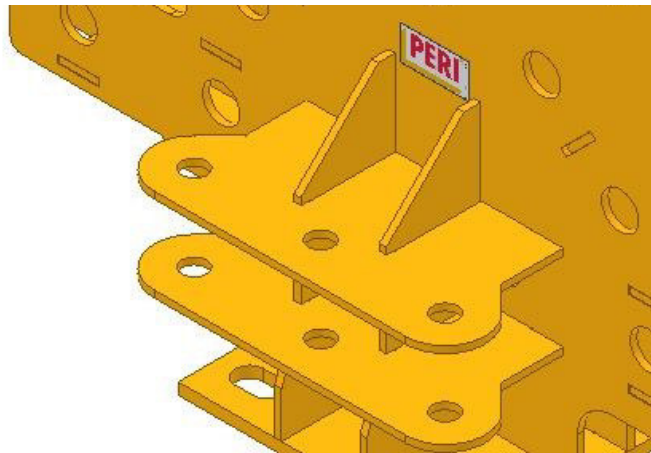
1	Coupling	017040
2	Base material	
3	Cotter Pin 4/1	018060
4	Fit Bolt	104031

Scaffold Tube Adapter	Description	Instruction	Billing Condition	Type
	<b>04.16.35 Coupling missing   useless</b>	 017040 (Coupling)		
	<b>04.16.36 Fit bolt</b>			
	<ul style="list-style-type: none"> <li>■ Missing</li> </ul>	 104031 (Fit Bolt) 018060 (Cotter Pin)		
	<ul style="list-style-type: none"> <li>■ Or useless</li> </ul>	 104031 (Fit Bolt) 018060 (Cotter)		
	<b>04.16.37 Tube Adapter bent</b>			
	<ul style="list-style-type: none"> <li>■ If possible</li> </ul>		 088244	
	<ul style="list-style-type: none"> <li>■ Or if not possible</li> </ul>			



Ladder 180/6 051410   Ladder (103724)	Description	Instruction	Billing Condition	Type
	<p><b>04.16.38 Bent</b></p> <ul style="list-style-type: none"> <li>■ &gt; 5 mm</li> </ul>			
	<p><b>04.16.39 Kink in ladder rung</b></p>			
	<p><b>04.16.40 Crack in welding</b></p>			

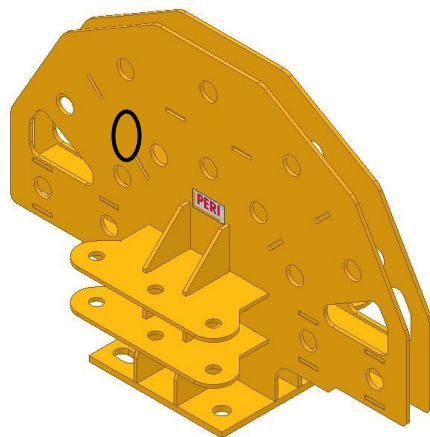
Support Node (130332)	Description	Instruction	Billing Condition	Type
-----------------------	-------------	-------------	-------------------	------



04.16.41 Bracket bent



088244



04.16.42 Dent in profile


















■ >5 mm depth



# PERI Rental Criteria

## Glossary Icons



Icon	Significance	Icon	Significance	Icon	Significance
	Not Ok– material is scrap		Billing necessary (customer)		Optical damage
	OK– material stays in rental park		No Billing necessary		Functional damage
	Scrap material– it's <b>not</b> permitted to hand out the material because of safety aspects		Shorten material		Functional damage— it's <b>not</b> permitted to hand out the material
	Repair according to instruction		Mark material		Static damage— it's <b>not</b> permitted to hand out the material
	Fix material cold—Afterwards check weld seams and bordering components		Replace damaged material		
	Repair after local economic efficiency calculation		Replace missing material		
	Clean material				